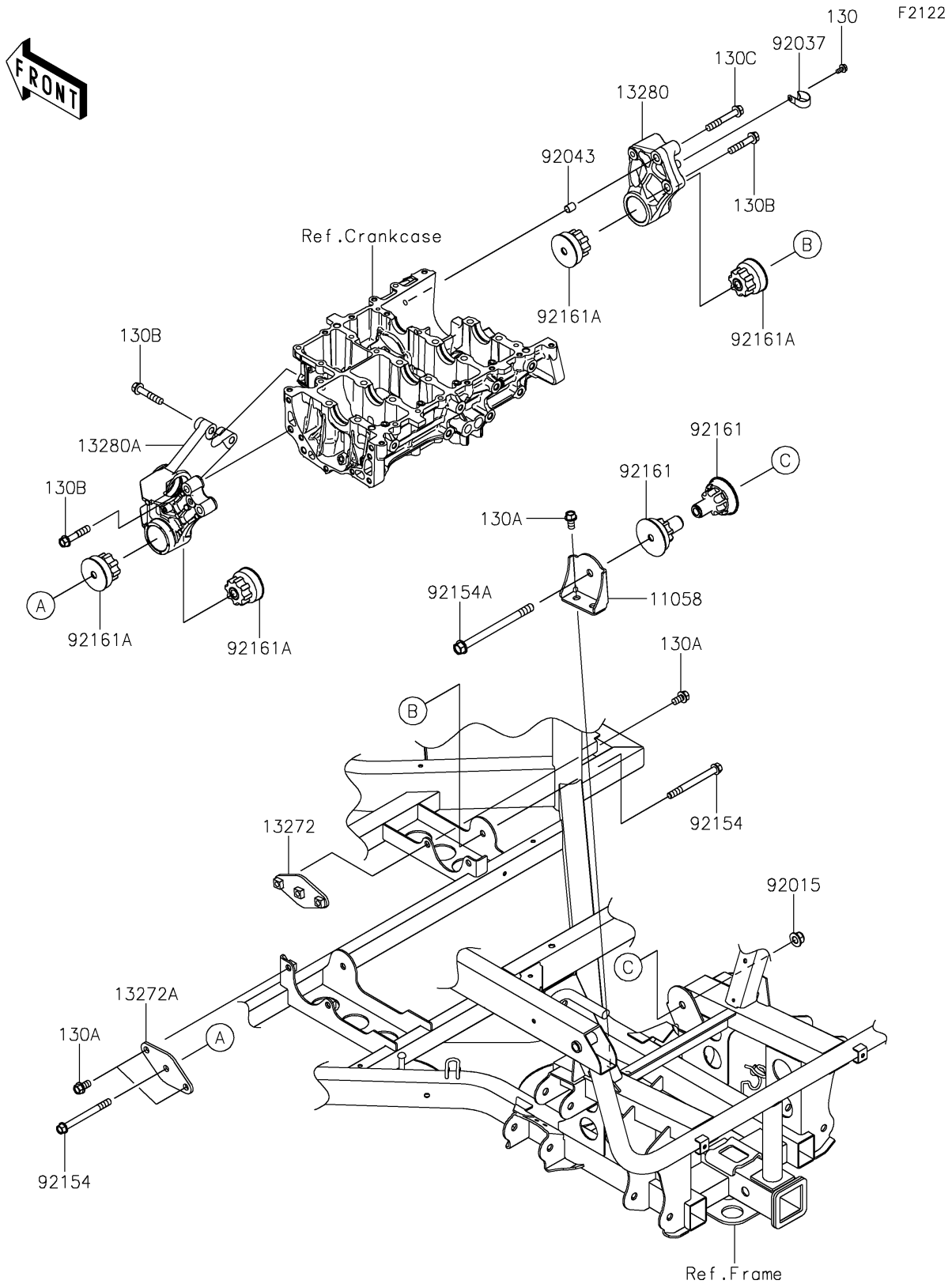


2026 RIDGE Platinum Ranch Edition HVAC

PARTS DIAGRAM

Engine Mount



2026 RIDGE Platinum Ranch Edition HVAC

PARTS LIST Engine Mount

ITEM NAME	PART NUMBER	QUANTITY
BRACKET,MOUNT ENGINE,RR (Ref # 11058)	11058-0118	1
PLATE,MOUNT ENGINE,RH (Ref # 13272)	13272-4071	1
PLATE,MOUNT ENGINE,LH (Ref # 13272A)	13272-4202	1
HOLDER,RH (Ref # 13280)	13280-1350	1
HOLDER,LH (Ref # 13280A)	13280-1407	1
NUT,LOCK,FLANGED,12MM (Ref # 92015)	92015-1433	1
CLAMP (Ref # 92037)	92037-1993	1
PIN,10.1X12X14 (Ref # 92043)	92043-4009	2
BOLT,FLANGED,10X105 (Ref # 92154)	92154-1132	2
BOLT,FLANGED,12X160 (Ref # 92154A)	92154-3916	1
DAMPER (Ref # 92161)	92161-2171	2
DAMPER (Ref # 92161A)	92161-2485	4
BOLT-FLANGED,6X12 (Ref # 130)	130BA0612	1
BOLT-FLANGED,10X18 (Ref # 130A)	130CA1018	6
BOLT-FLANGED,10X50 (Ref # 130B)	130CA1050	5
BOLT-FLANGED,10X65 (Ref # 130C)	130CA1065	1