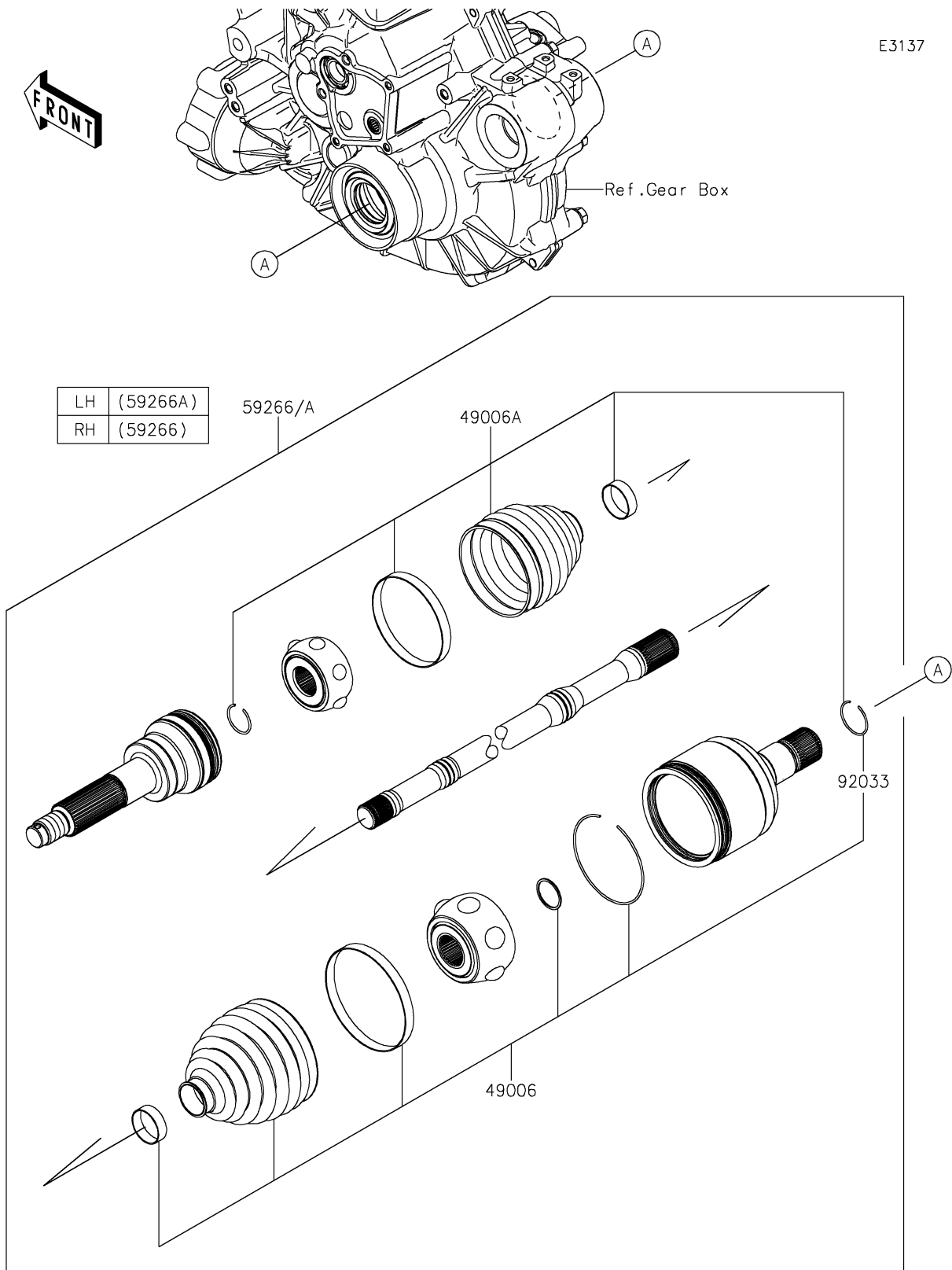


2026 RIDGE Platinum Ranch Edition HVAC

PARTS DIAGRAM

Drive Shaft-Rear



2026 RIDGE Platinum Ranch Edition HVAC



PARTS LIST

Drive Shaft-Rear

ITEM NAME	PART NUMBER	QUANTITY
-----------	-------------	----------
