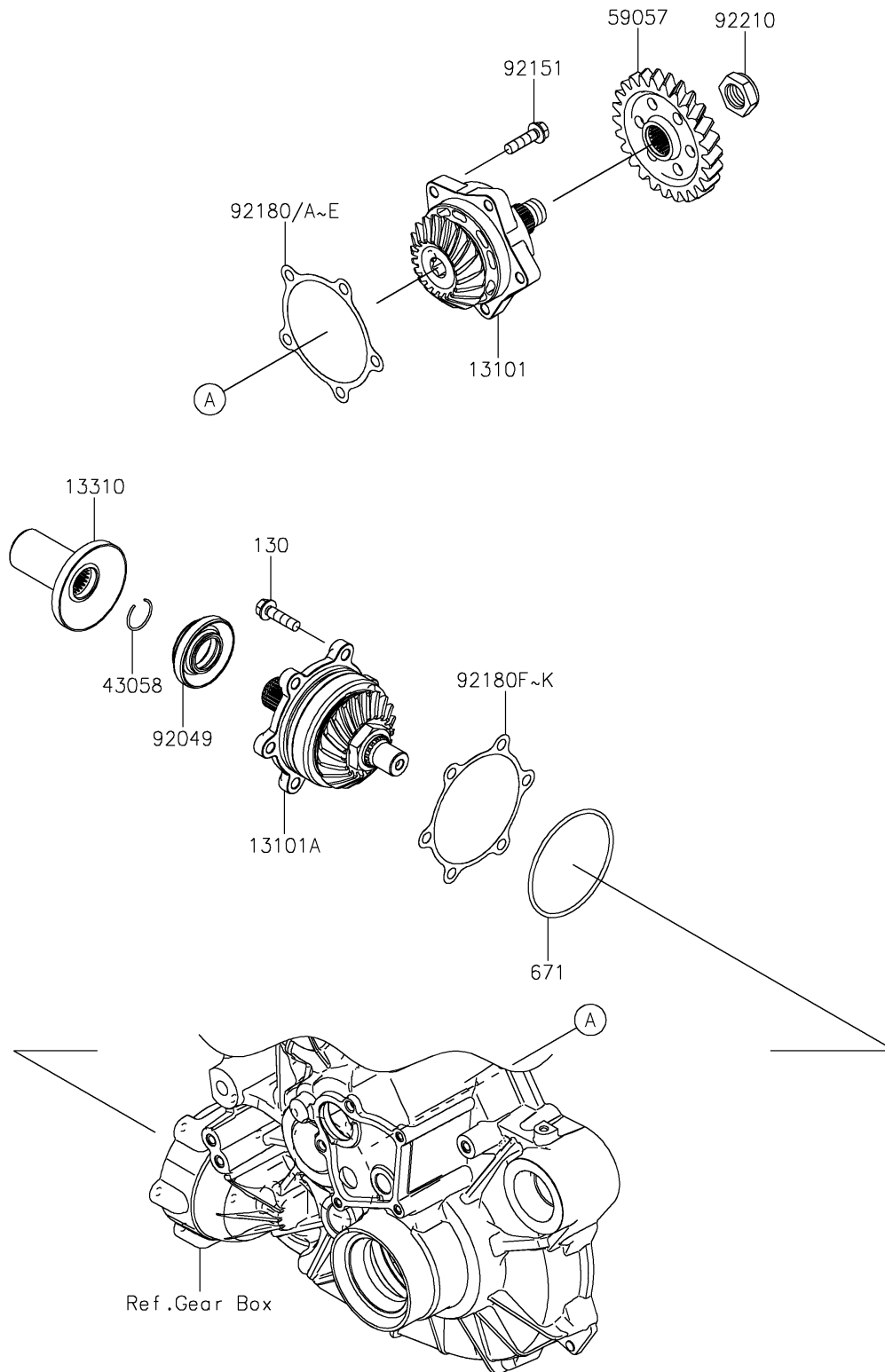


2026 RIDGE Platinum Ranch Edition HVAC

PARTS DIAGRAM

Bevel Gear

E3130



2026 RIDGE Platinum Ranch Edition HVAC



PARTS LIST

Bevel Gear

ITEM NAME	PART NUMBER	QUANTITY
-----------	-------------	----------
