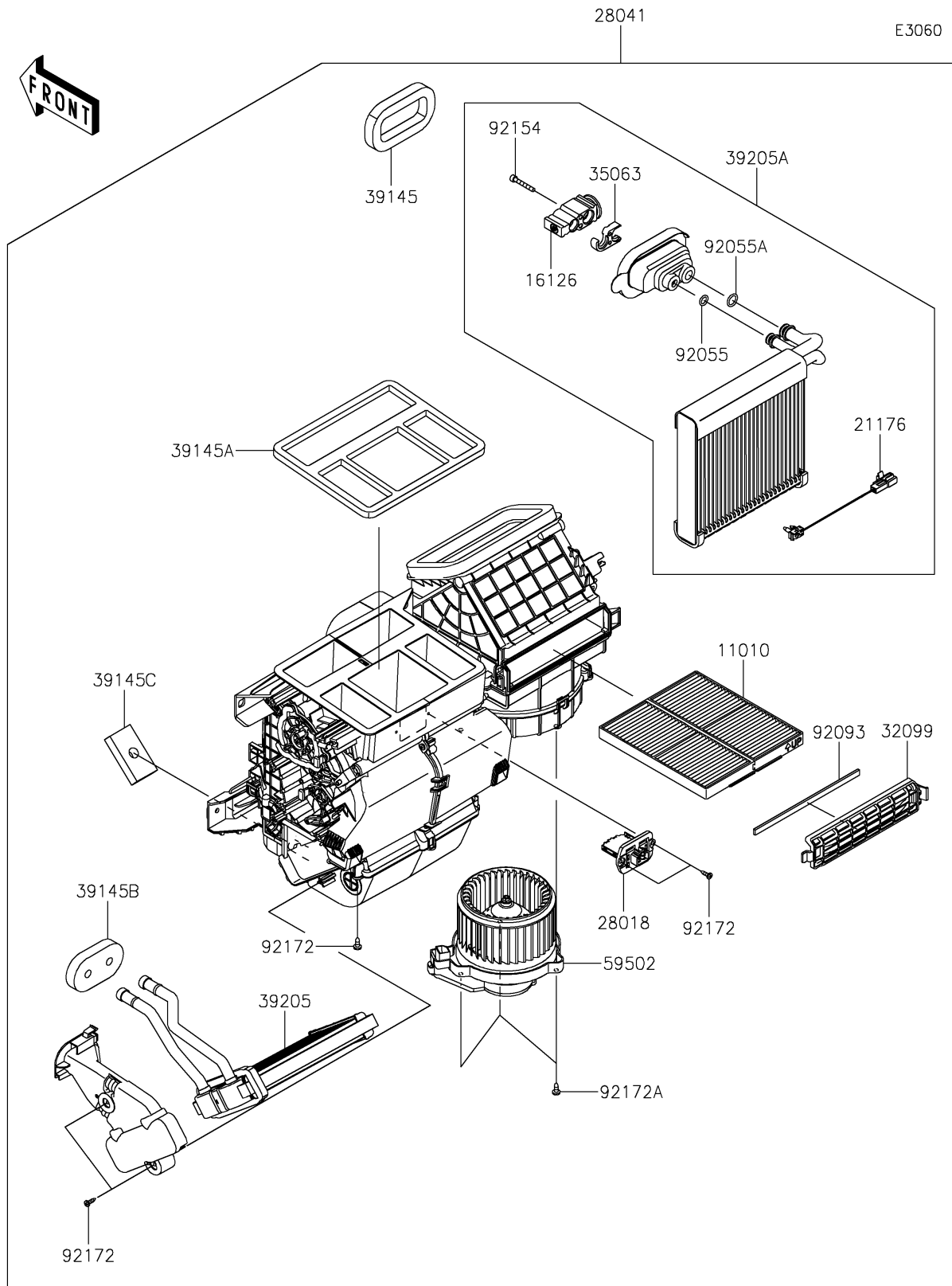


2026 RIDGE® PLATINUM RANCH EDITION HVAC

PARTS DIAGRAM

HVAC Unit



2026 RIDGE® PLATINUM RANCH EDITION HVAC



PARTS LIST HVAC Unit

ITEM NAME	PART NUMBER	QUANTITY
-----------	-------------	----------
