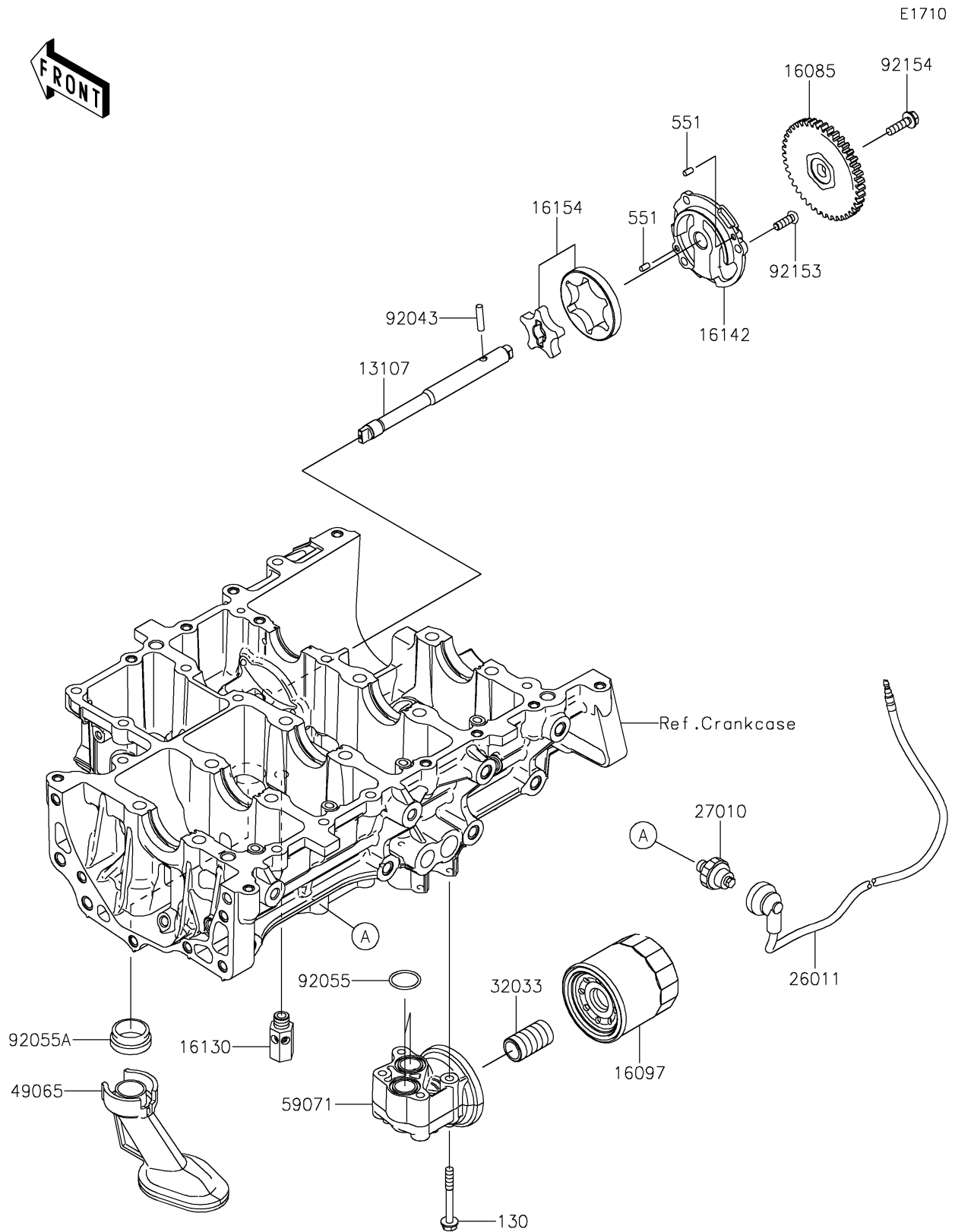


# 2026 RIDGE Platinum Ranch Edition HVAC

## PARTS DIAGRAM

### Oil Pump/Oil Filter



# 2026 RIDGE Platinum Ranch Edition HVAC



## PARTS LIST

Oil Pump/Oil Filter

ITEM NAME	PART NUMBER	QUANTITY
-----------	-------------	----------

---