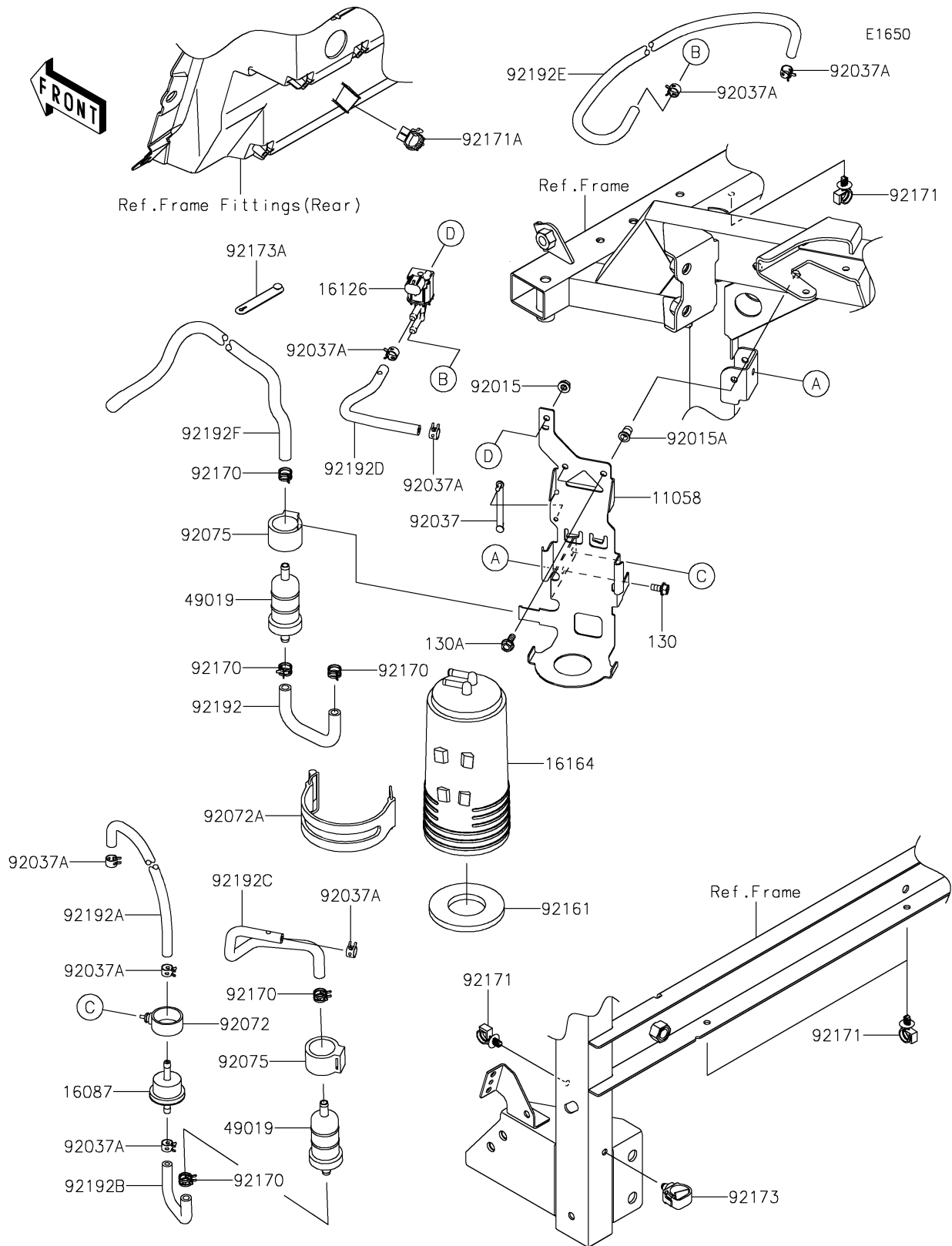


2026 RIDGE Platinum Ranch Edition HVAC

PARTS DIAGRAM

Fuel Evaporative System(CA)



2026 RIDGE Platinum Ranch Edition HVAC



PARTS LIST

Fuel Evaporative System(CA)

ITEM NAME

PART NUMBER

QUANTITY
