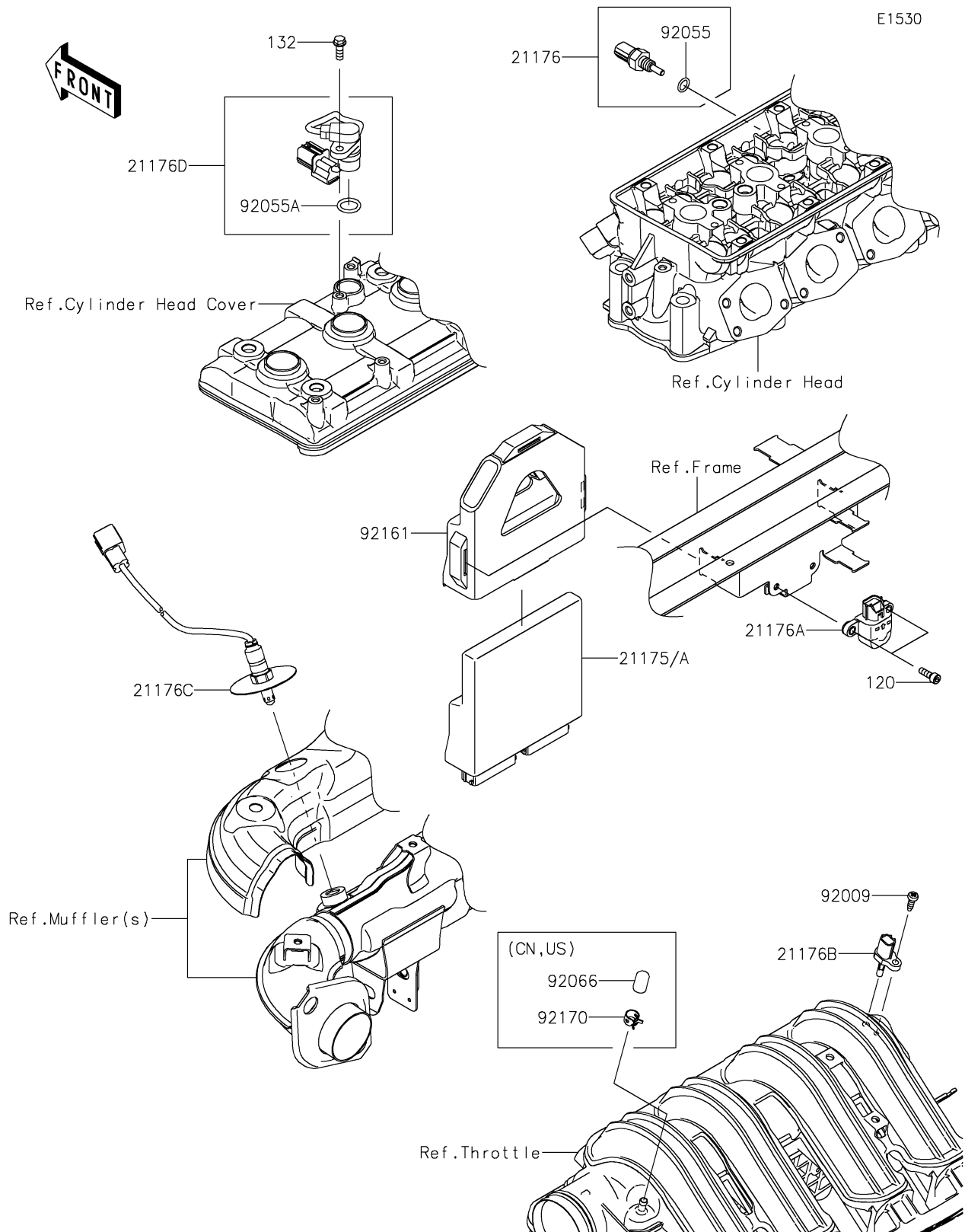


2026 RIDGE Platinum Ranch Edition HVAC

PARTS DIAGRAM

Fuel Injection



2026 RIDGE Platinum Ranch Edition HVAC



PARTS LIST

Fuel Injection

ITEM NAME	PART NUMBER	QUANTITY
-----------	-------------	----------
