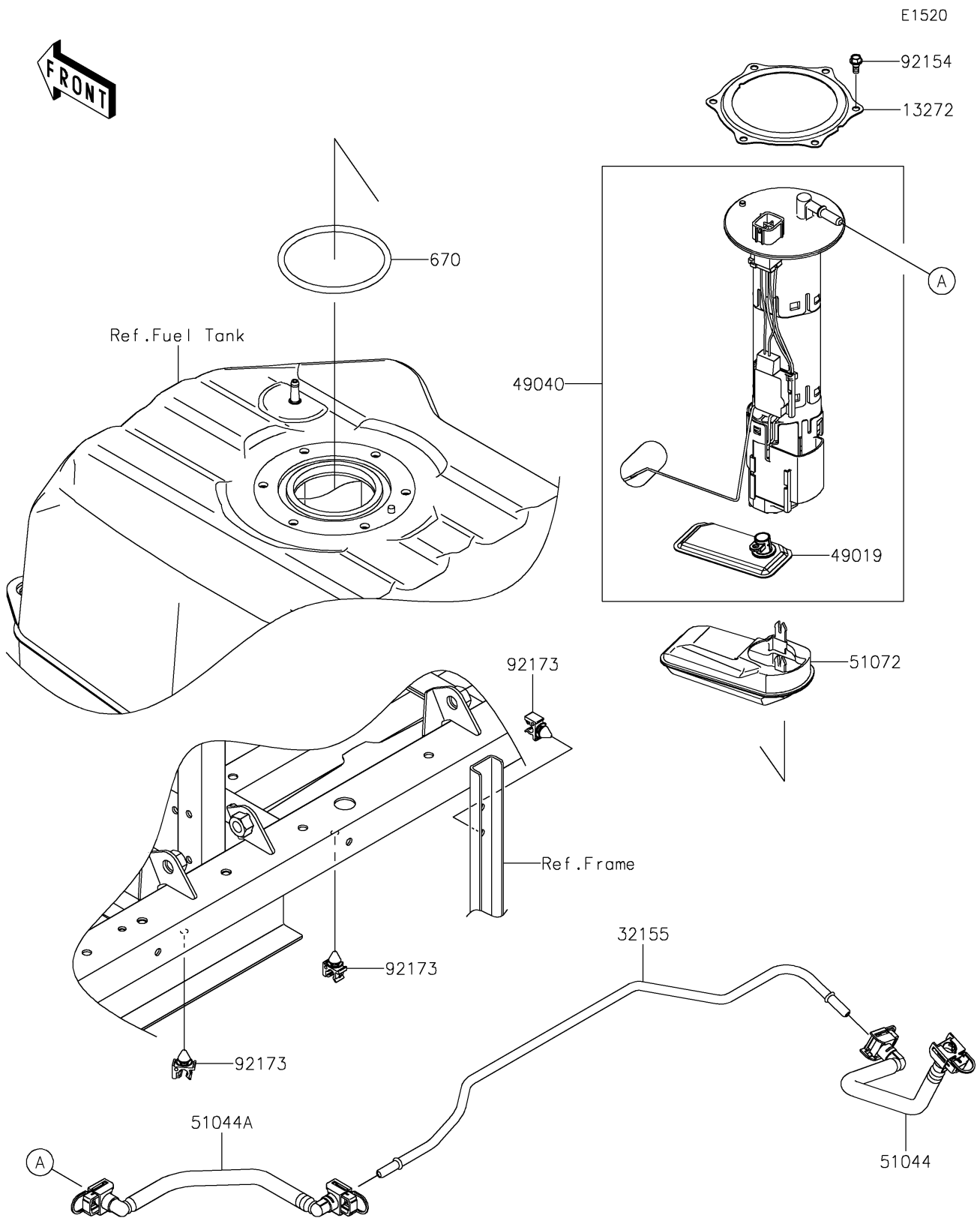


# 2026 RIDGE Platinum Ranch Edition HVAC

## PARTS DIAGRAM

### Fuel Pump



# 2026 RIDGE Platinum Ranch Edition HVAC



## PARTS LIST

### Fuel Pump

ITEM NAME	PART NUMBER	QUANTITY
-----------	-------------	----------

---