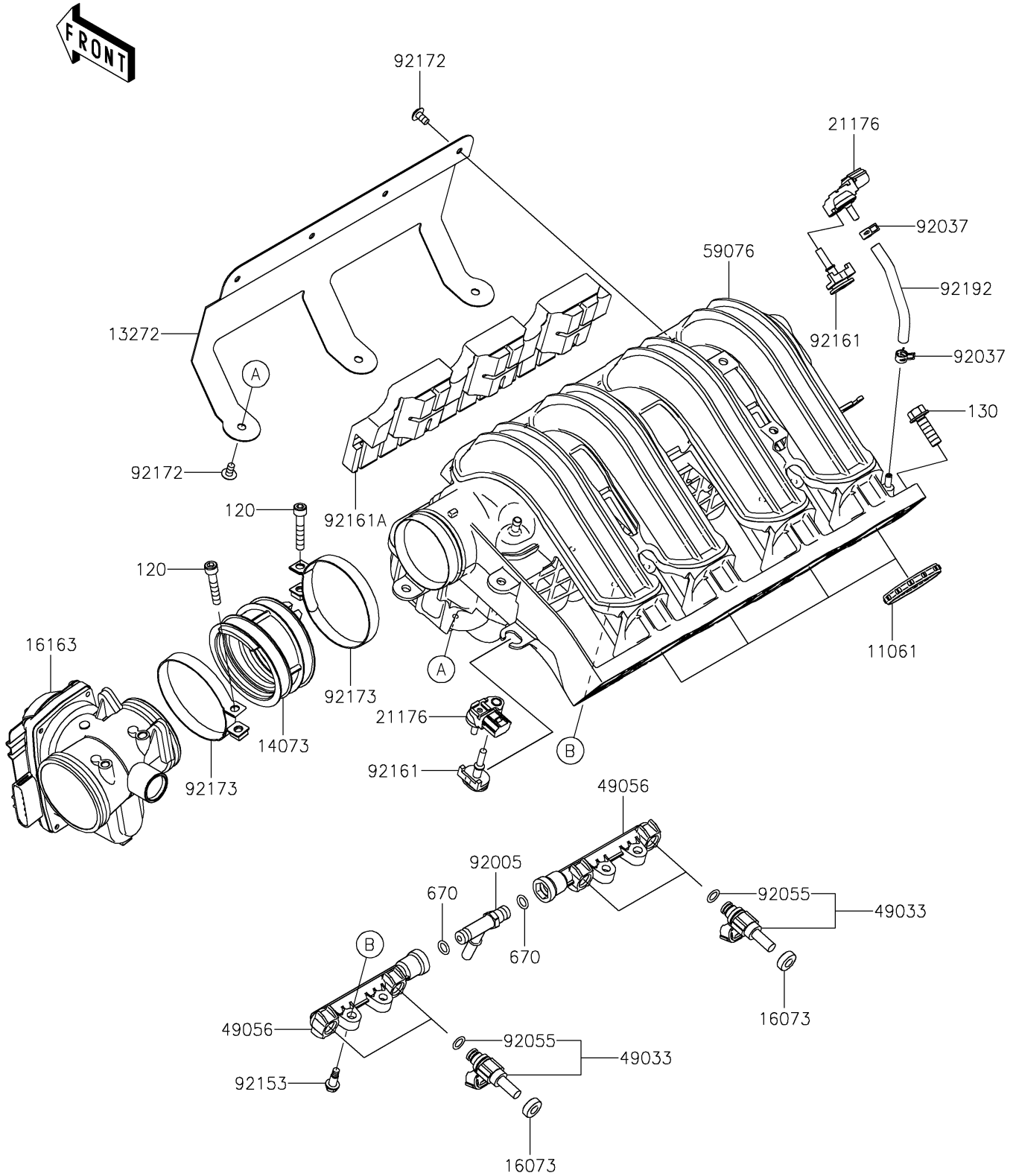


2026 RIDGE® PLATINUM RANCH EDITION HVAC

PARTS DIAGRAM

Throttle

E1510



2026 RIDGE® PLATINUM RANCH EDITION HVAC



PARTS LIST Throttle

ITEM NAME	PART NUMBER	QUANTITY
-----------	-------------	----------
