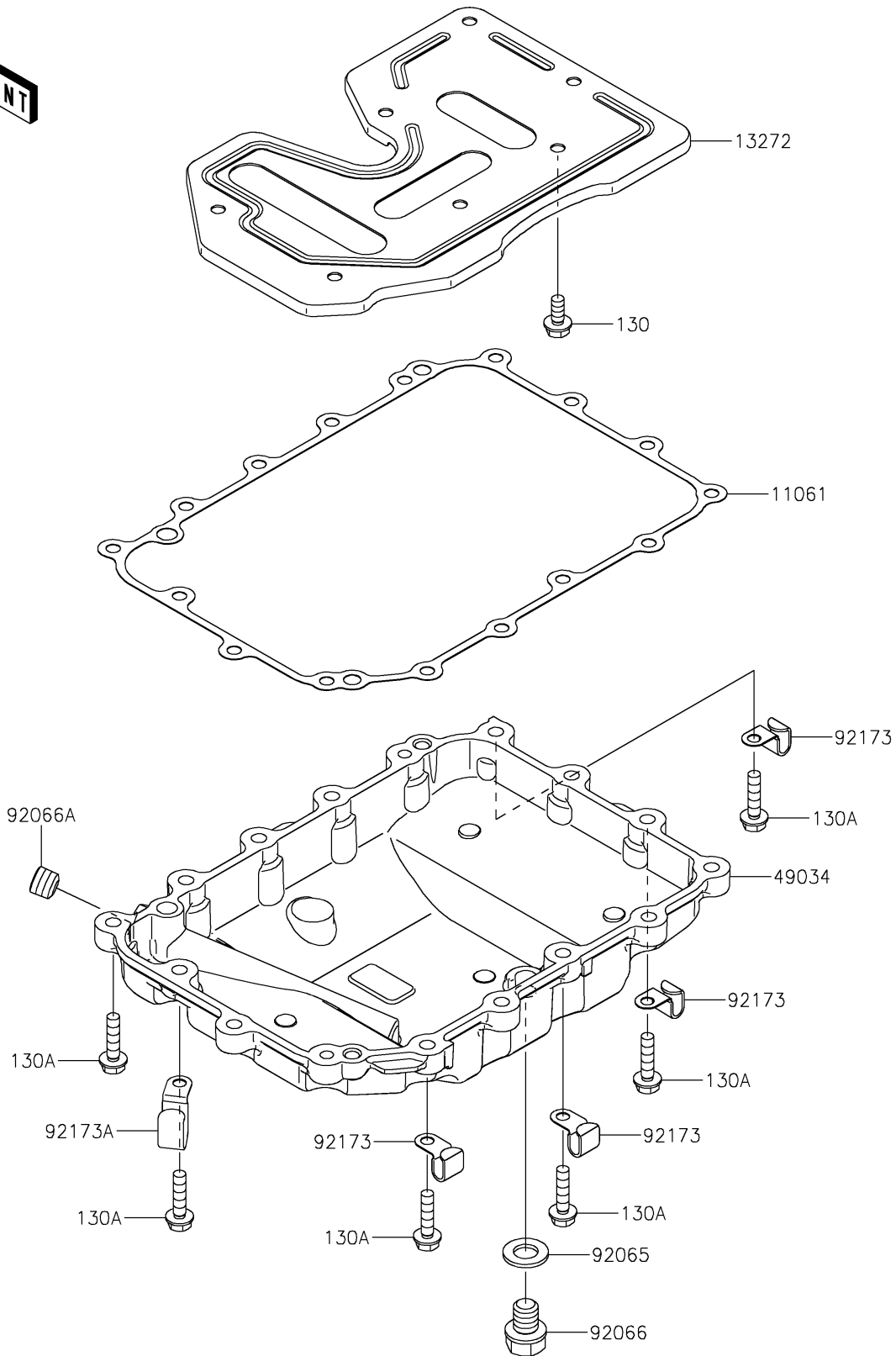


2026 RIDGE Platinum Ranch Edition HVAC

PARTS DIAGRAM

Oil Pan

E1434



2026 RIDGE Platinum Ranch Edition HVAC



PARTS LIST

Oil Pan

| ITEM NAME | PART NUMBER | QUANTITY |
|------------------------------------|-------------|----------|
| GASKET,OIL PAN (Ref # 11061) | 11061-1453 | 1 |
| PLATE,OIL PAN (Ref # 13272) | 13272-4094 | 1 |
| PAN-OIL (Ref # 49034) | 49034-0583 | 1 |
| GASKET,12X22X2 (Ref # 92065) | 92065-097 | 1 |
| PLUG,OIL DRAIN,12X15 (Ref # 92066) | 92066-1174 | 1 |
| PLUG (Ref # 92066A) | 92066-1597 | 1 |
| CLAMP,12X45 (Ref # 92173) | 92173-1839 | 4 |
| CLAMP (Ref # 92173A) | 92173-2588 | 1 |
| BOLT-FLANGED,6X14 (Ref # 130) | 130BA0614 | 7 |
| BOLT-FLANGED,6X25 (Ref # 130A) | 130BA0625 | 16 |