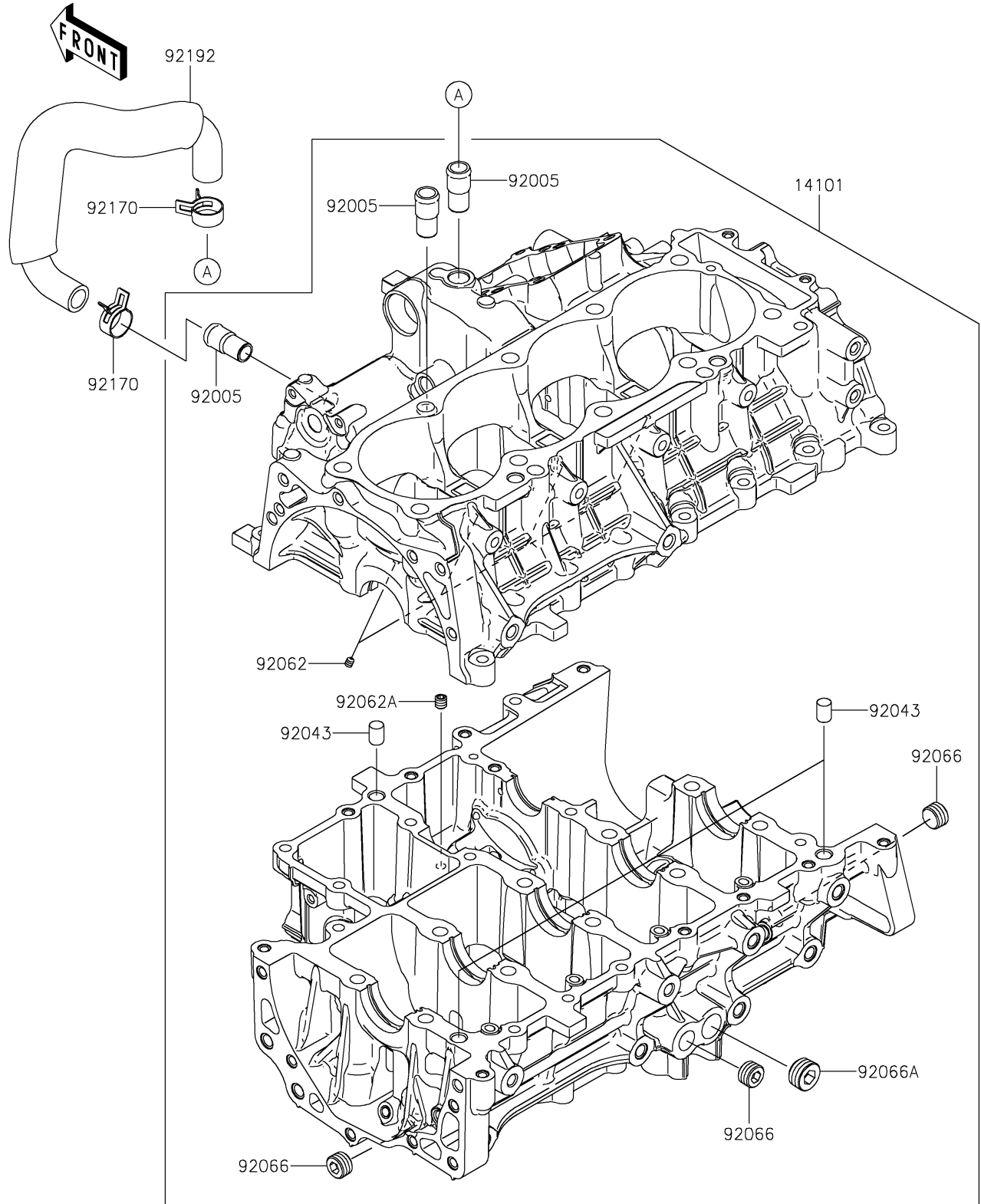


2026 RIDGE Platinum Ranch Edition HVAC

PARTS DIAGRAM

Crankcase

E1411



2026 RIDGE Platinum Ranch Edition HVAC



PARTS LIST

Crankcase

ITEM NAME	PART NUMBER	QUANTITY
-----------	-------------	----------
