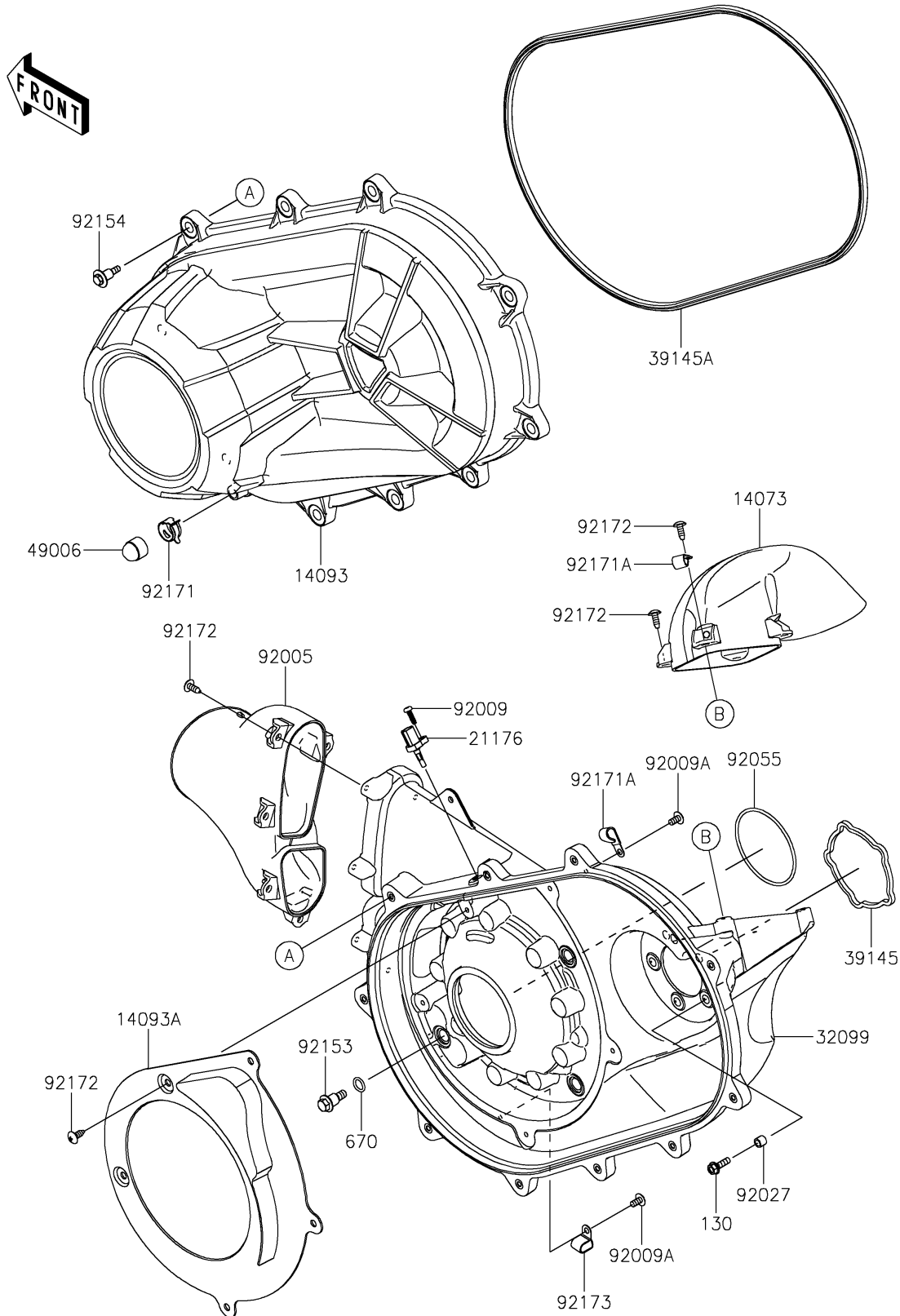


2026 RIDGE Platinum Ranch Edition HVAC

PARTS DIAGRAM

Converter Cover

E1393



2026 RIDGE Platinum Ranch Edition HVAC



PARTS LIST

Converter Cover

ITEM NAME	PART NUMBER	QUANTITY
-----------	-------------	----------
