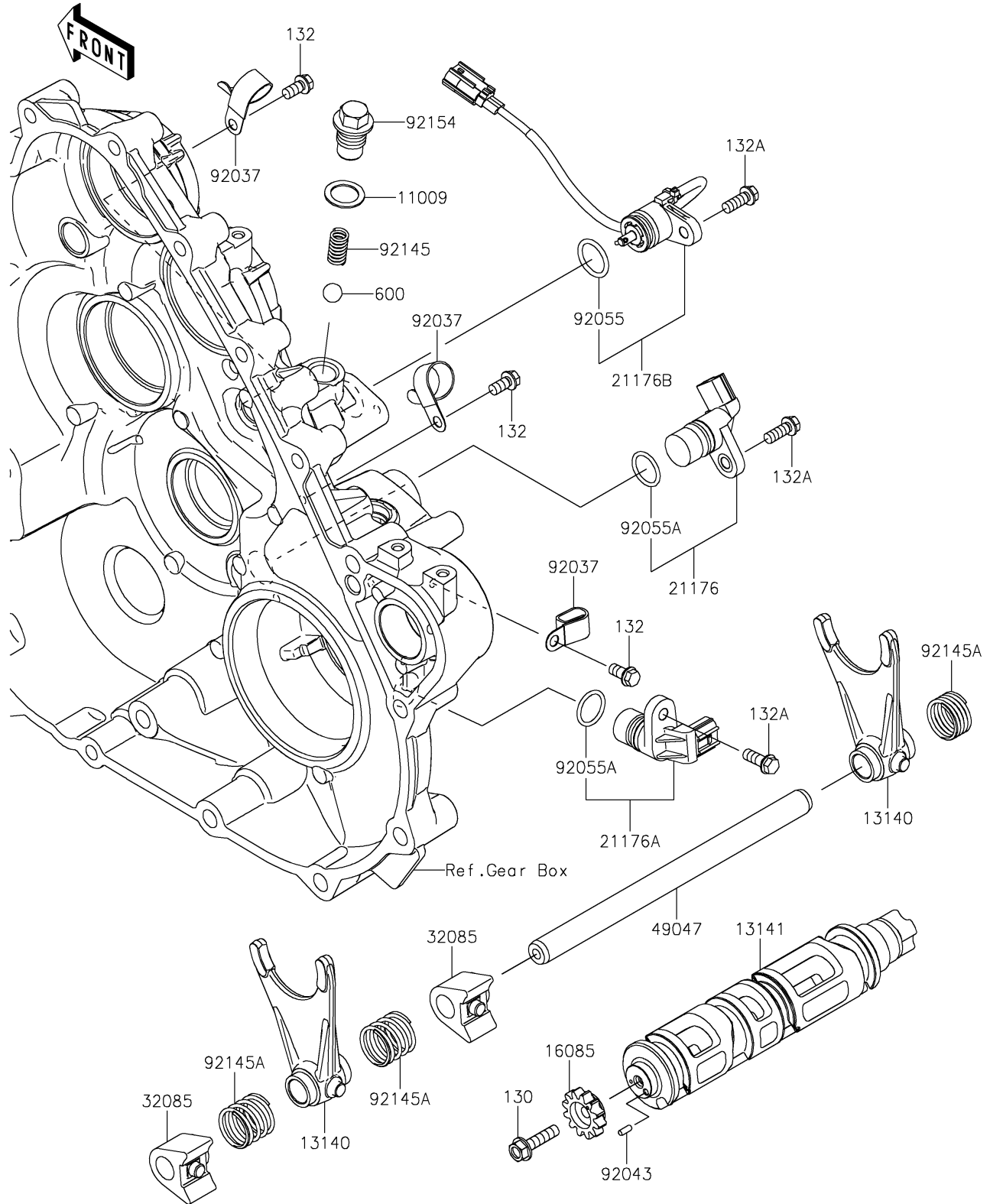


# 2026 RIDGE Platinum Ranch Edition HVAC

## PARTS DIAGRAM

### Gear Change Drum/Shift Fork(s)

E1362



# 2026 RIDGE Platinum Ranch Edition HVAC



## PARTS LIST

Gear Change Drum/Shift Fork(s)

ITEM NAME	PART NUMBER	QUANTITY
-----------	-------------	----------

---