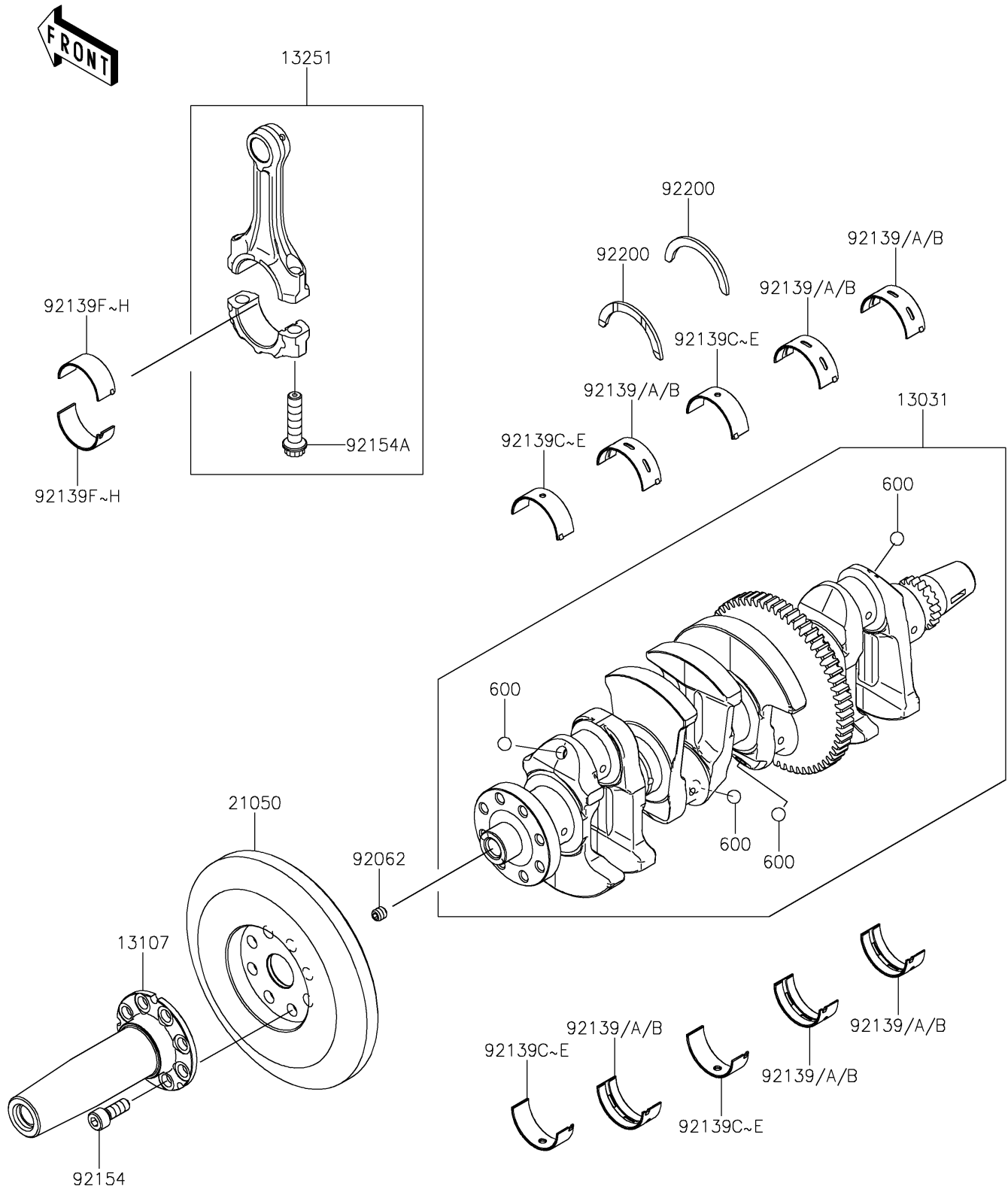


2026 RIDGE Platinum Ranch Edition HVAC

PARTS DIAGRAM

Crankshaft

E1321



2026 RIDGE Platinum Ranch Edition HVAC



PARTS LIST

Crankshaft

ITEM NAME	PART NUMBER	QUANTITY
-----------	-------------	----------
