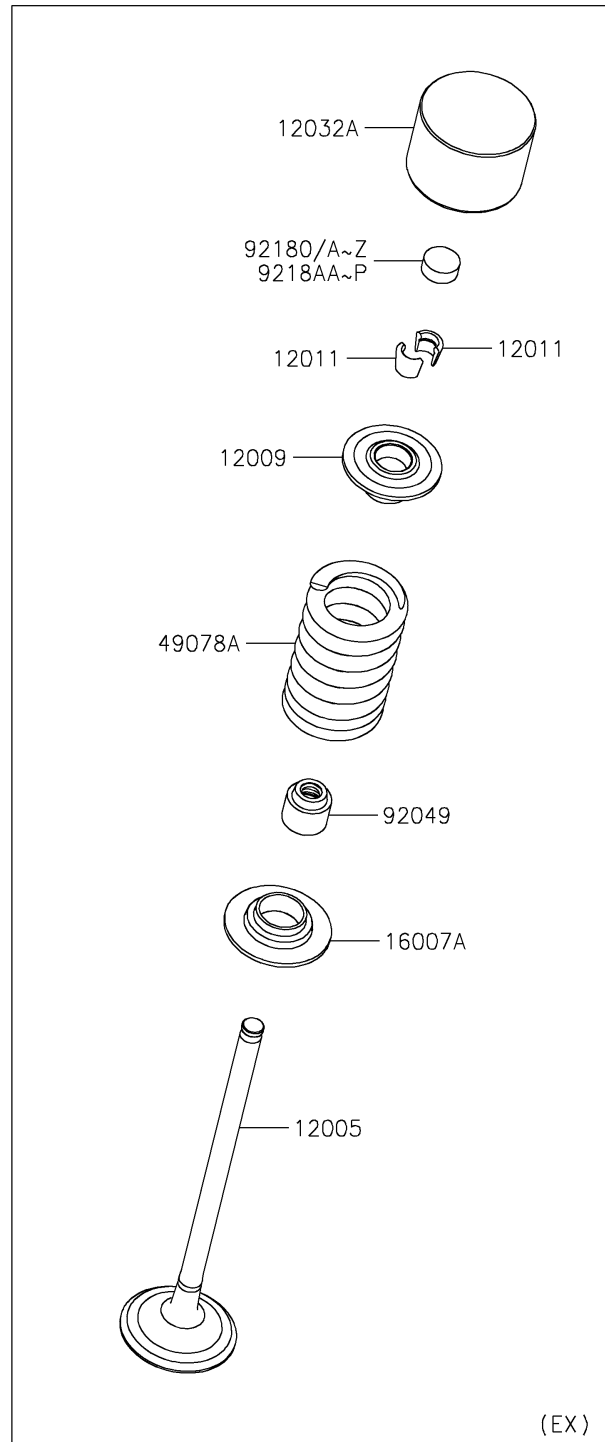
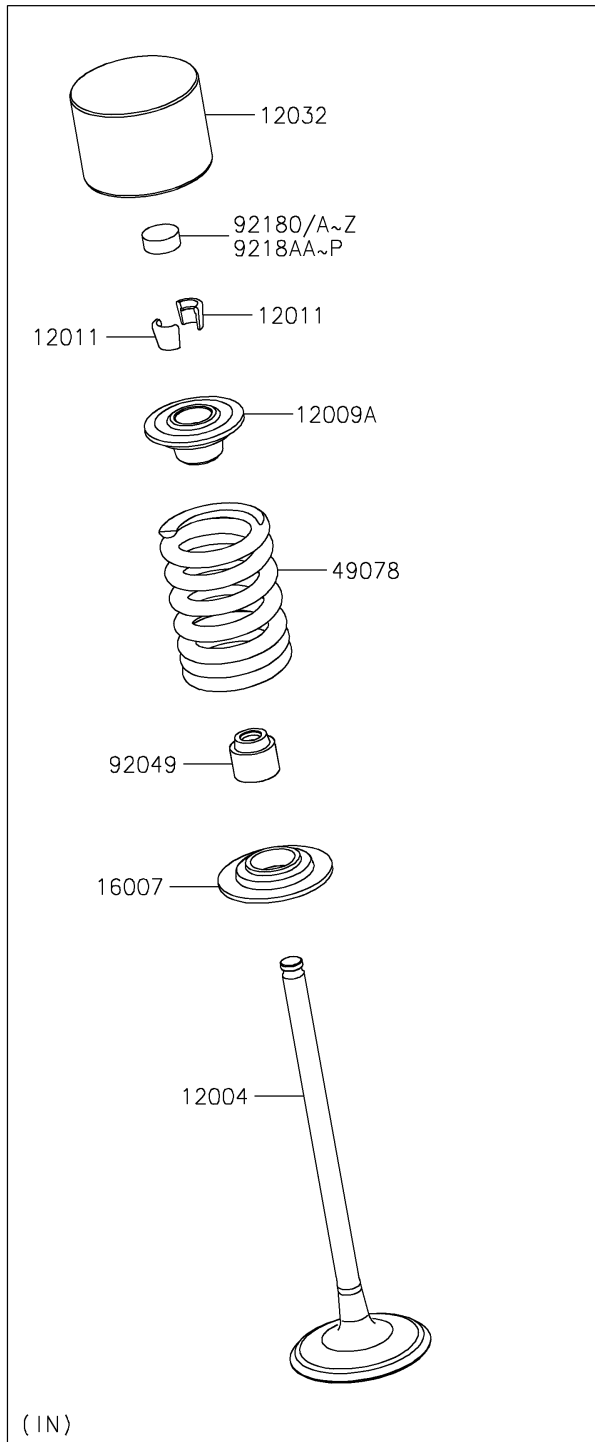


2026 RIDGE Platinum Ranch Edition HVAC

PARTS DIAGRAM

Valve(s)

E1210



2026 RIDGE Platinum Ranch Edition HVAC



PARTS LIST

Valve(s)

ITEM NAME	PART NUMBER	QUANTITY
-----------	-------------	----------
