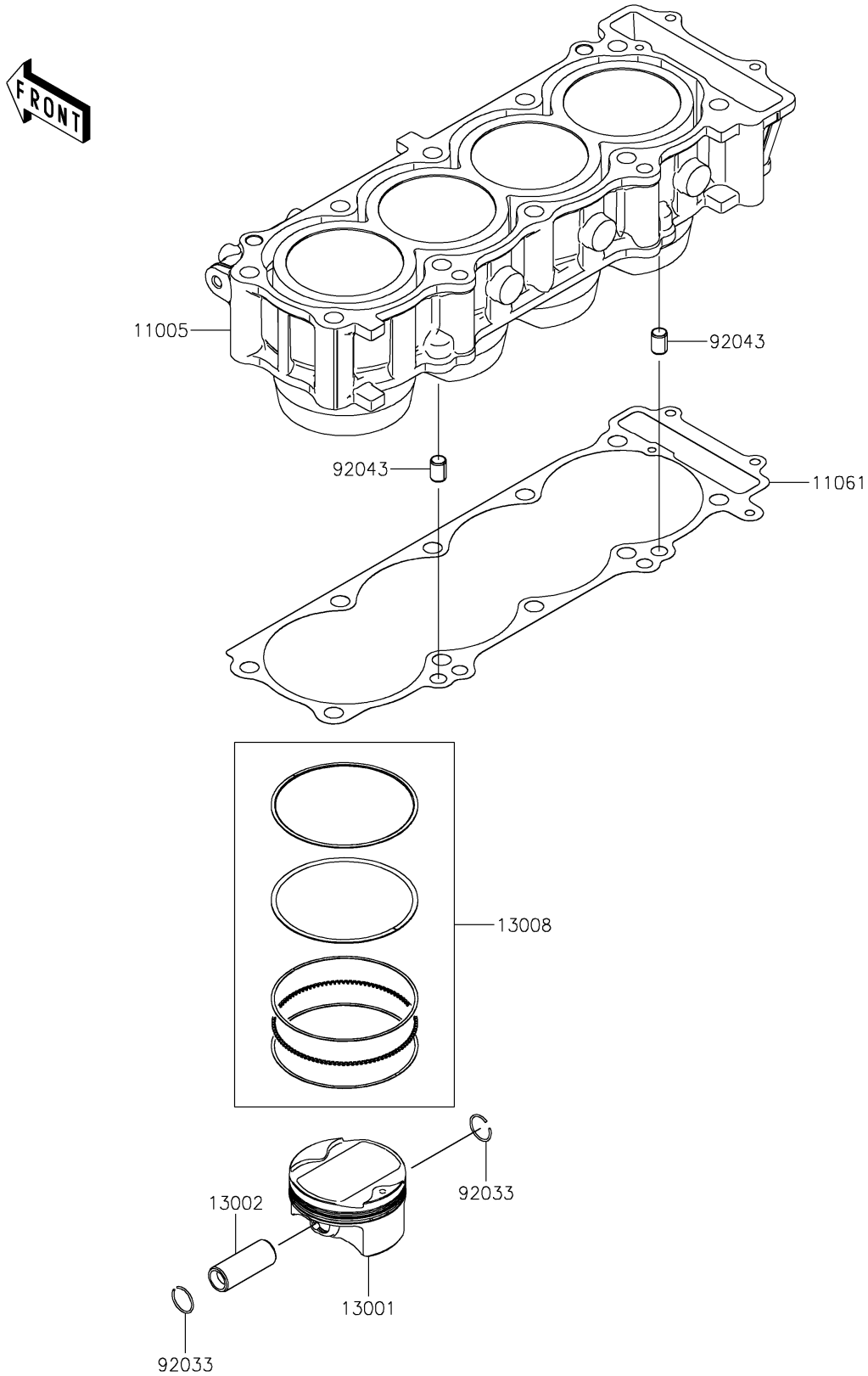


# 2026 RIDGE® PLATINUM RANCH EDITION HVAC

## PARTS DIAGRAM

### Cylinder/Piston(s)

E1120



# 2026 RIDGE® PLATINUM RANCH EDITION HVAC



## PARTS LIST

### Cylinder/Piston(s)

ITEM NAME	PART NUMBER	QUANTITY
CYLINDER-ENGINE (Ref # 11005)	11005-0733	1
GASKET,CYLINDER BASE (Ref # 11061)	11061-1482	1
PISTON-ENGINE (Ref # 13001)	13001-0843	4
PIN-PISTON (Ref # 13002)	13002-0733	4
RING-SET-PISTON (Ref # 13008)	13008-0571	4
RING-SNAP (Ref # 92033)	92033-1054	8
PIN,8.2X10X14 (Ref # 92043)	92043-1264	2