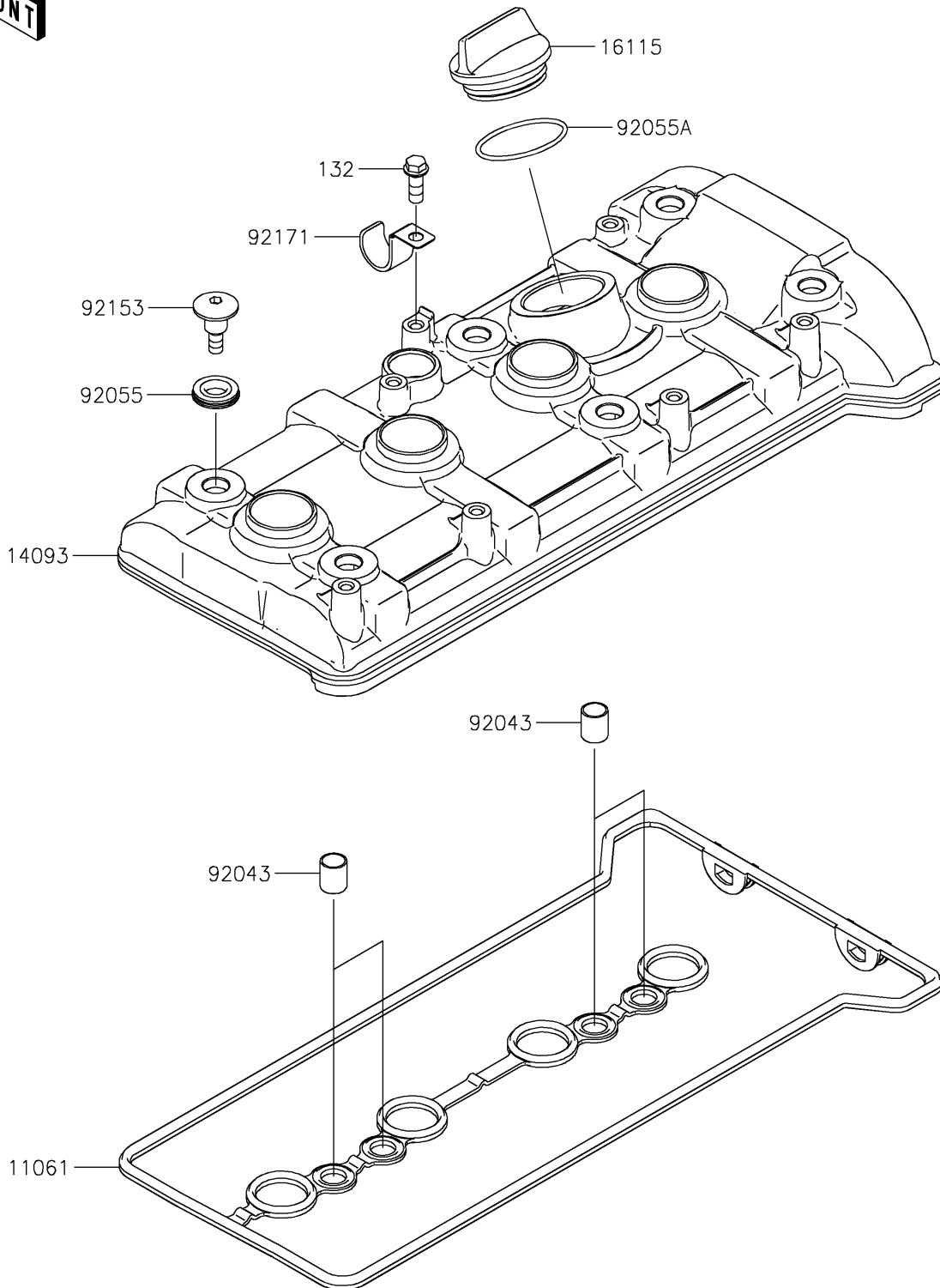


2026 RIDGE® PLATINUM RANCH EDITION HVAC

PARTS DIAGRAM Cylinder Head Cover

E1112



2026 RIDGE® PLATINUM RANCH EDITION HVAC

PARTS LIST

Cylinder Head Cover

ITEM NAME	PART NUMBER	QUANTITY
GASKET,HEAD COVER (Ref # 11061)	11061-1465	1
COVER,HEAD (Ref # 14093)	14093-1433	1
CAP-OIL FILLER (Ref # 16115)	16115-1064	1
PIN,10.1X12X14 (Ref # 92043)	92043-4009	4
RING-O (Ref # 92055)	92055-0187	6
RING-O,38X1.9 (Ref # 92055A)	92055-1295	1
BOLT,SOCKET,6X22.5 (Ref # 92153)	92153-1779	6
CLAMP,L=60 (Ref # 92171)	92171-0652	1
BOLT-FLANGED-SMALL,6X16 (Ref # 132)	132BA0616	1