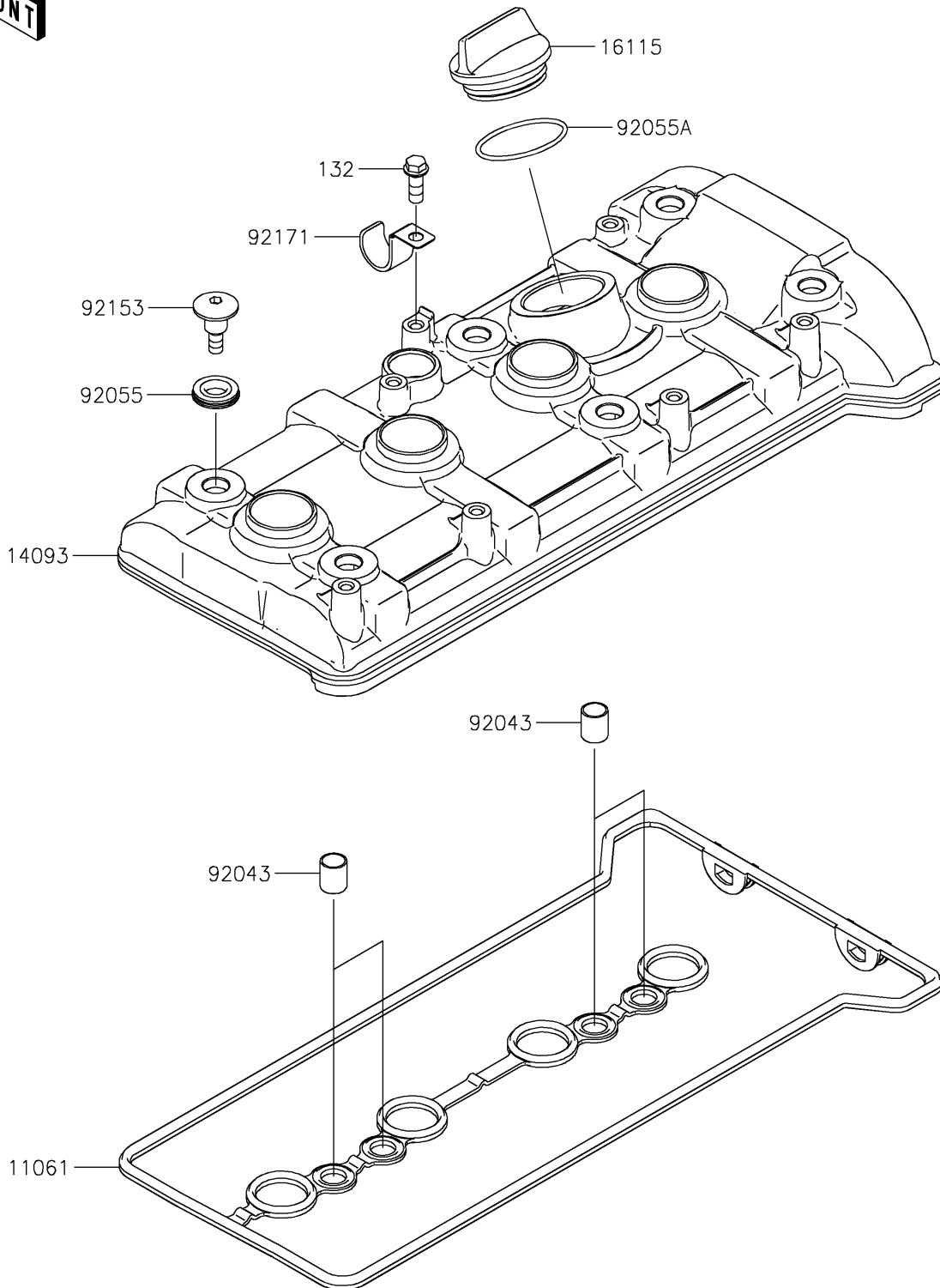


2026 RIDGE Platinum Ranch Edition HVAC

PARTS DIAGRAM Cylinder Head Cover

E1112



2026 RIDGE Platinum Ranch Edition HVAC



PARTS LIST

Cylinder Head Cover

ITEM NAME	PART NUMBER	QUANTITY
-----------	-------------	----------
