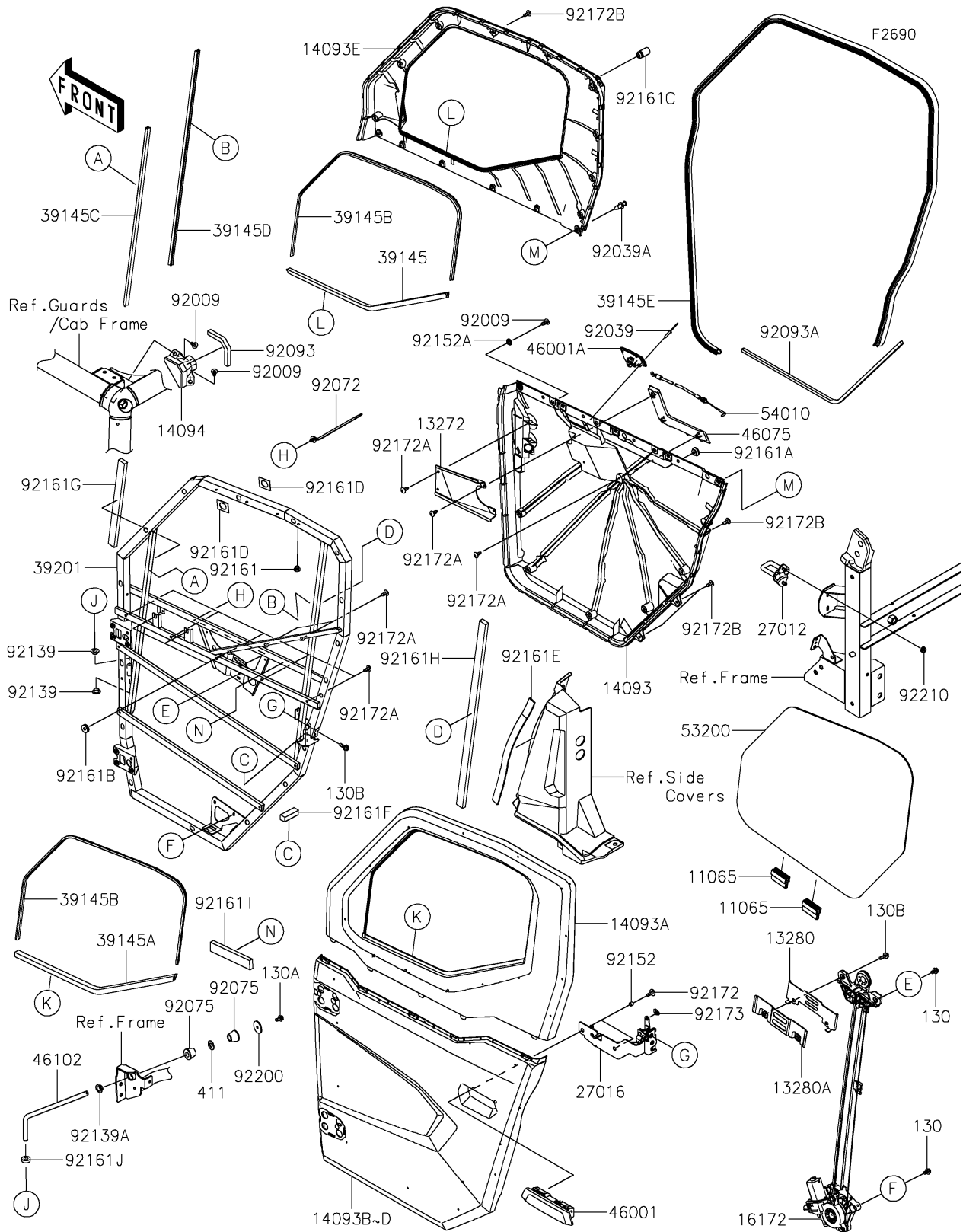


2026 RIDGE® HVAC

PARTS DIAGRAM

Door(LH)



2026 RIDGE® HVAC

PARTS LIST

Door(LH)

ITEM NAME	PART NUMBER	QUANTITY
CAP,WINDOW ACTUATOR (Ref # 11065)	11065-1432	2
PLATE,FULL DOOR,LH (Ref # 13272)	13272-4426	1
HOLDER,WINDOW,INNER (Ref # 13280)	13280-1342	1
HOLDER,WINDOW,OUTER (Ref # 13280A)	13280-1343	1
COVER,FULL DOOR,LH,INNER (Ref # 14093)	14093-1321	1
COVER,FULL DOOR,LH,OUTER,UPP (Ref # 14093A)	14093-1366	1
COVER,FULL DOOR,LH,OUTER,GRAY (Ref # 14093C)	14093-1429-75E	1
COVER,FULL DOOR,LH,OUTER,M.M.W (Ref # 14093D)	14093-1429-75J	1
COVER,FULL DOOR,LH,INNER,UPP (Ref # 14093E)	14093-1443	1
COVER,DOOR,CORNER (Ref # 14094)	14094-0146	1
ACTUATOR,WINDOW,LH (Ref # 16172)	16172-0563	1
HOOK,DOOR (Ref # 27012)	27012-0860	1
LOCK-ASSY,FR DOOR,LH (Ref # 27016)	27016-0142	1
TRIM-SEAL,WINDOW,LWR (Ref # 39145)	39145-0745	1
TRIM-SEAL,WINDOW,LWR (Ref # 39145A)	39145-0763	1
TRIM-SEAL,WINDOW,UPP (Ref # 39145B)	39145-0796	2
TRIM-SEAL,FULL DOOR,RAIL,FR (Ref # 39145C)	39145-0799	1
TRIM-SEAL,FULL DOOR,RAIL,RR (Ref # 39145D)	39145-0800	1
TRIM-SEAL,FULL DOOR (Ref # 39145E)	39145-0801	1
FRAME-COMP-DOOR,FULL,LH (Ref # 39201)	39201-0017	1
HANDLE-ASSY,DOOR,OUTER (Ref # 46001)	46001-0017	1
HANDLE-ASSY,DOOR,INNER (Ref # 46001A)	46001-0026	1
GRIP,DOOR,INNER,LH (Ref # 46075)	46075-0665	1
ROD,DOOR,LH (Ref # 46102)	46102-0674	1
WINDOW,GLASS (Ref # 53200)	53200-0001	1
CABLE,FR DOOR HANDLE (Ref # 54010)	54010-0671	1
SCREW,TAPPING,6X16 (Ref # 92009)	92009-1166	5
RIVET,4.0X17.5 (Ref # 92039)	92039-0703	2
RIVET (Ref # 92039A)	92039-0776	2

2026 RIDGE® HVAC

PARTS LIST

Door(LH)

ITEM NAME	PART NUMBER	QUANTITY
BAND,OS170-FT7(BLACK) (Ref # 92072)	92072-1414	1
DAMPER,HANDLE HOLDER (Ref # 92075)	92075-039	2
SEAL,10X10X110 (Ref # 92093)	92093-0785	1
SEAL (Ref # 92093A)	92093-0792	1
BUSHING (Ref # 92139)	92139-0230	2
BUSHING (Ref # 92139A)	92139-1241	1
COLLAR,6.5X8.5X5.5 (Ref # 92152)	92152-0612	2
COLLAR,6.3X9.5X4.1 (Ref # 92152A)	92152-1571	3
DAMPER (Ref # 92161)	92161-1084	4
DAMPER (Ref # 92161A)	92161-1531	4
DAMPER,6X19X5.6 (Ref # 92161B)	92161-1911	3
DAMPER (Ref # 92161C)	92161-2612	1
DAMPER (Ref # 92161D)	92161-2613	32
DAMPER,18X345X3 (Ref # 92161E)	92161-2637	1
DAMPER,15X45X13 (Ref # 92161F)	92161-2638	1
DAMPER,20X250X10 (Ref # 92161G)	92161-2648	1
DAMPER,20X550X10 (Ref # 92161H)	92161-2649	1
DAMPER,25X130X10 (Ref # 92161I)	92161-2714	1
DAMPER,10X20X6 (Ref # 92161J)	92161-2745	1
SCREW,6X16 (Ref # 92172)	92172-0236	2
SCREW,6X16 (Ref # 92172A)	92172-0284	12
SCREW,TAPPING,6X16 (Ref # 92172B)	92172-1470	19
CLAMP (Ref # 92173)	92173-2863	1
WASHER (Ref # 92200)	92200-2144	1
NUT,LOCK,FLANGED,6MM (Ref # 92210)	92210-0303	2
BOLT-FLANGED,6X10 (Ref # 130)	130BA0610	3
BOLT-FLANGED,6X12 (Ref # 130A)	130BA0612	1
BOLT-FLANGED,6X18 (Ref # 130B)	130BA0618	4
WASHER-PLAIN,10MM (Ref # 411)	411AA1000	1