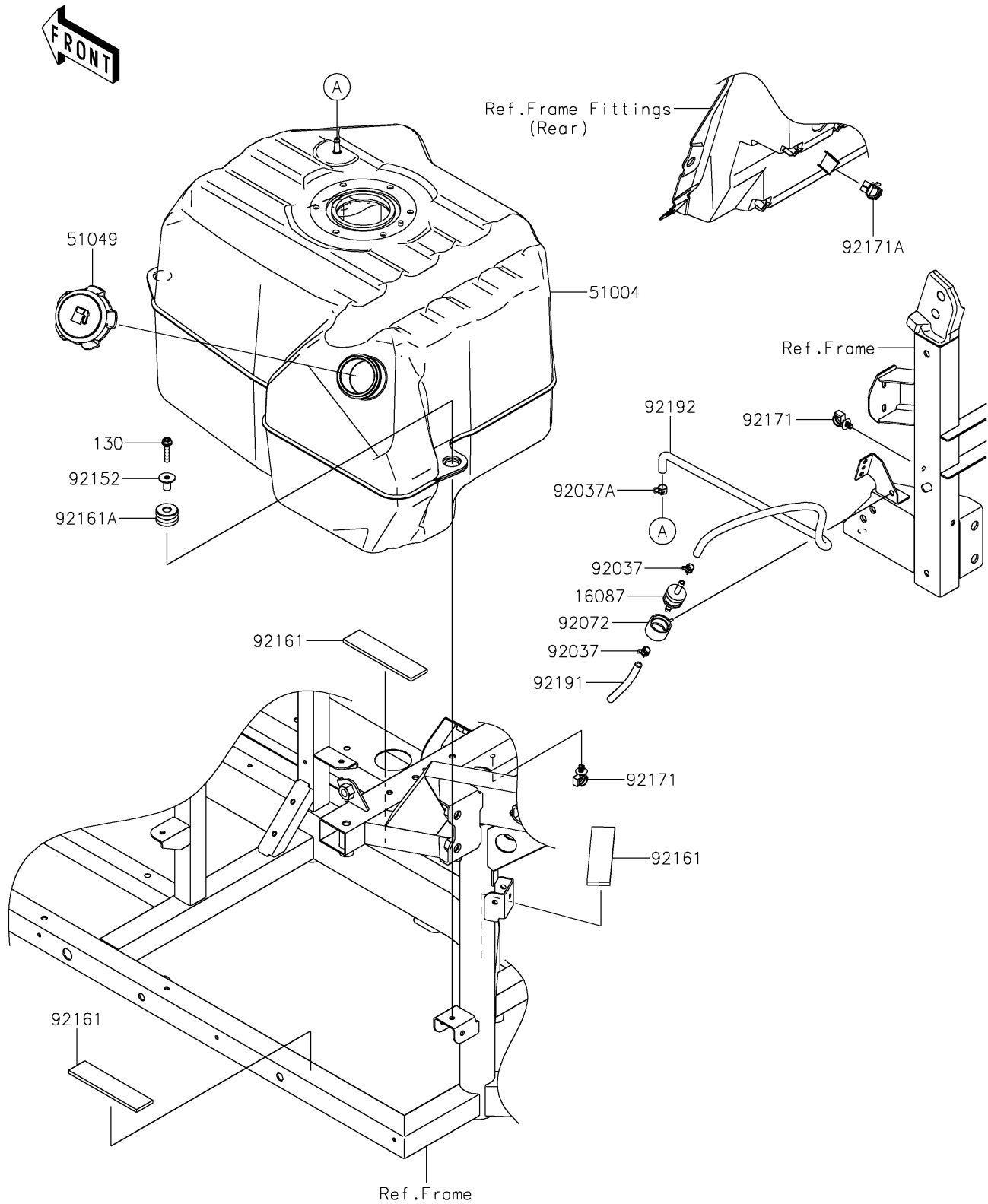


2026 RIDGE® HVAC CAMO

PARTS DIAGRAM

Fuel Tank(CN,US)

F2410



2026 RIDGE® HVAC CAMO

PARTS LIST

Fuel Tank(CN,US)

| ITEM NAME | PART NUMBER | QUANTITY |
|----------------------------------|-------------|----------|
| VALVE-CHECK (Ref # 16087) | 16087-0008 | 1 |
| TANK-FUEL (Ref # 51004) | 51004-0727 | 1 |
| CAP-TANK,FUEL (Ref # 51049) | 51049-0718 | 1 |
| CLAMP,TUBE (Ref # 92037) | 92037-1461 | 2 |
| CLAMP (Ref # 92037A) | 92037-2113 | 1 |
| BAND (Ref # 92072) | 92072-0850 | 1 |
| COLLAR,6.8X10X18.1 (Ref # 92152) | 92152-1867 | 3 |
| DAMPER,31.1X130X5 (Ref # 92161) | 92161-0936 | 3 |
| DAMPER,TANK (Ref # 92161A) | 92161-2178 | 3 |
| CLAMP (Ref # 92171) | 92171-0453 | 2 |
| CLAMP,EDGE CLIP (Ref # 92171A) | 92171-1722 | 1 |
| TUBE,5X9X100 (Ref # 92191) | 92191-1792 | 1 |
| TUBE,BREATHER (Ref # 92192) | 92192-2626 | 1 |
| BOLT-FLANGED,6X30 (Ref # 130) | 130BA0630 | 3 |