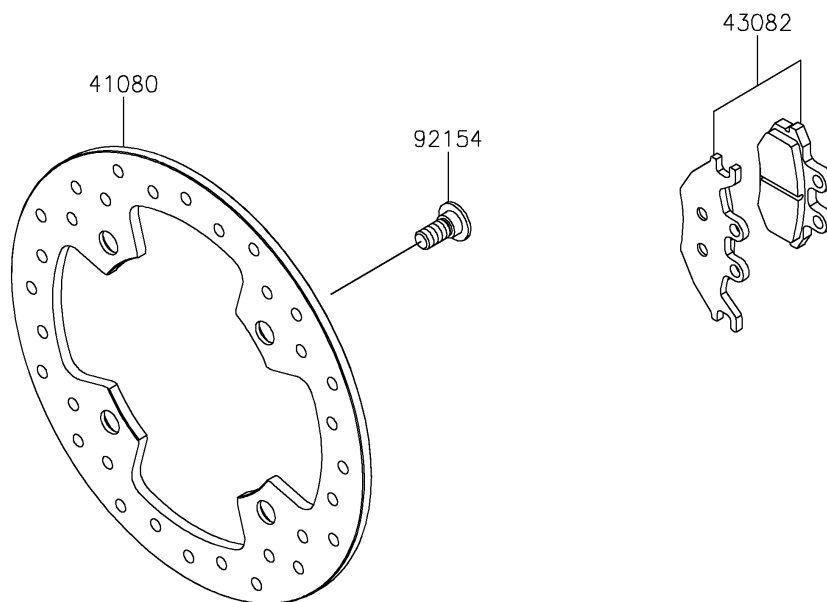
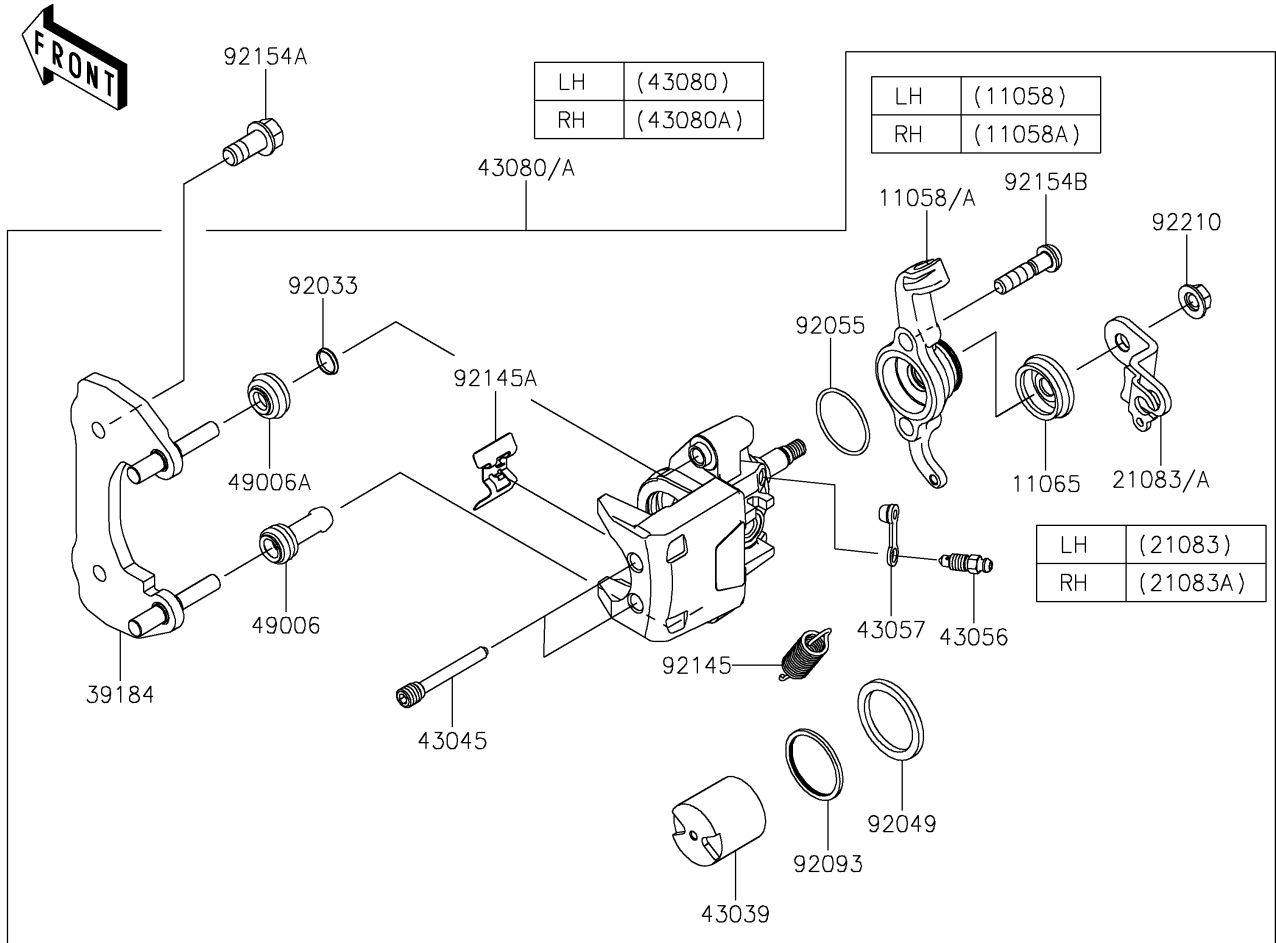


2026 RIDGE HVAC

PARTS DIAGRAM

Rear Brake

F2294



2026 RIDGE HVAC

PARTS LIST

Rear Brake

| ITEM NAME | PART NUMBER | QUANTITY |
|---------------------------------------|-------------|----------|
| BRACKET,CALIPER,RR,LH (Ref # 11058) | 11058-2318 | 1 |
| BRACKET,CALIPER,RR,RH (Ref # 11058A) | 11058-2319 | 1 |
| CAP (Ref # 11065) | 11065-0870 | 2 |
| ARM,BRAKE,RR,LH (Ref # 21083) | 21083-0771 | 1 |
| ARM,BRAKE,RR,RH (Ref # 21083A) | 21083-0772 | 1 |
| BRACKET-ASSY,RR (Ref # 39184) | 39184-0753 | 2 |
| DISC,BRAKE (Ref # 41080) | 41080-0746 | 2 |
| PISTON-BRAKE (Ref # 43039) | 43039-0027 | 2 |
| SHAFT-CALIPER (Ref # 43045) | 43045-Y002 | 4 |
| BREATHER-BRAKE (Ref # 43056) | 43056-0055 | 2 |
| CAP-BREATHER (Ref # 43057) | 43057-0552 | 2 |
| CALIPER-SUB-ASSY,RR,LH (Ref # 43080) | 43080-0252 | 1 |
| CALIPER-SUB-ASSY,RR,RH (Ref # 43080A) | 43080-0253 | 1 |
| PAD-ASSY-BRAKE,RR (Ref # 43082) | 43082-0209 | 2 |
| BOOT (Ref # 49006) | 49006-0591 | 2 |
| BOOT (Ref # 49006A) | 49006-0592 | 2 |
| RING-SNAP (Ref # 92033) | 92033-0864 | 2 |
| SEAL-OIL (Ref # 92049) | 92049-0765 | 2 |
| RING-O (Ref # 92055) | 92055-0795 | 2 |
| SEAL (Ref # 92093) | 92093-0613 | 2 |
| SPRING,RETURN,47MM (Ref # 92145) | 92145-1690 | 2 |
| SPRING,PAD (Ref # 92145A) | 92145-2364 | 2 |
| BOLT,SOCKET,10X23 (Ref # 92154) | 92154-0713 | 8 |
| BOLT,FLANGED,10X22 (Ref # 92154A) | 92154-1327 | 4 |
| BOLT,FLANGE,6X40 (Ref # 92154B) | 92154-Y228 | 4 |
| NUT (Ref # 92210) | 92210-2216 | 2 |