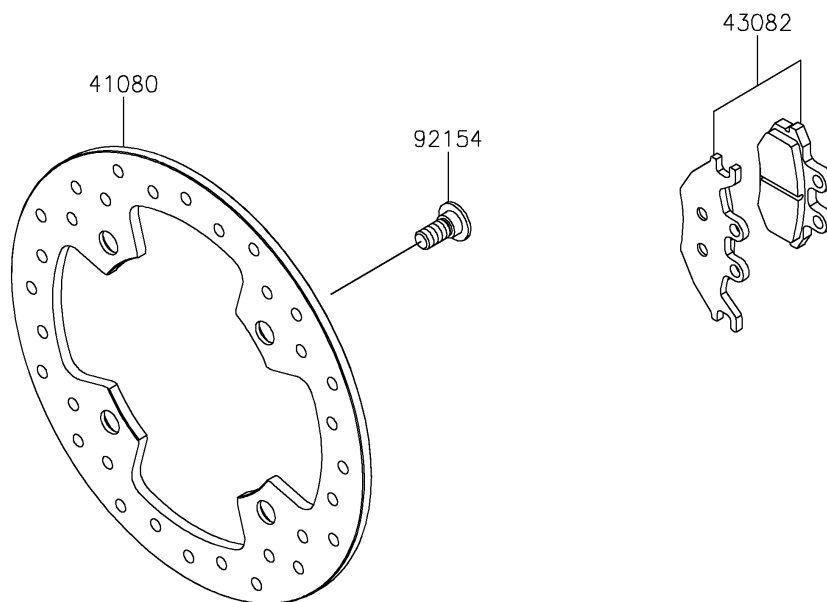
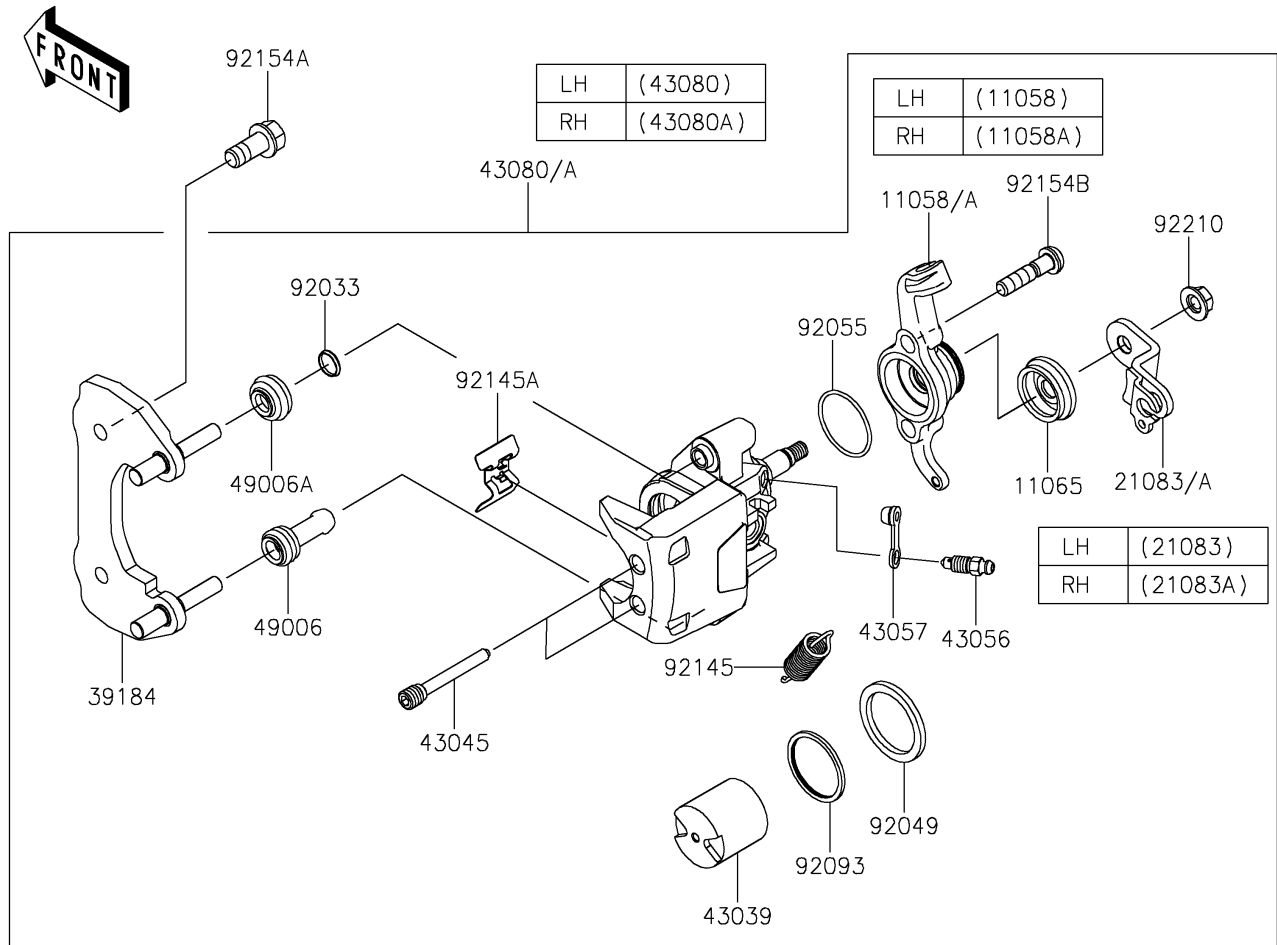


2026 RIDGE® HVAC CAMO

PARTS DIAGRAM

Rear Brake

F2294



2026 RIDGE® HVAC CAMO

PARTS LIST

Rear Brake

ITEM NAME	PART NUMBER	QUANTITY
BRACKET,CALIPER,RR,LH (Ref # 11058)	11058-2318	1
BRACKET,CALIPER,RR,RH (Ref # 11058A)	11058-2319	1
CAP (Ref # 11065)	11065-0870	2
ARM,BRAKE,RR,LH (Ref # 21083)	21083-0771	1
ARM,BRAKE,RR,RH (Ref # 21083A)	21083-0772	1
BRACKET-ASSY,RR (Ref # 39184)	39184-0753	2
DISC,BRAKE (Ref # 41080)	41080-0746	2
PISTON-BRAKE (Ref # 43039)	43039-0027	2
SHAFT-CALIPER (Ref # 43045)	43045-Y002	4
BREATHER-BRAKE (Ref # 43056)	43056-0055	2
CAP-BREATHER (Ref # 43057)	43057-0552	2
CALIPER-SUB-ASSY,RR,LH (Ref # 43080)	43080-0252	1
CALIPER-SUB-ASSY,RR,RH (Ref # 43080A)	43080-0253	1
PAD-ASSY-BRAKE,RR (Ref # 43082)	43082-0209	2
BOOT (Ref # 49006)	49006-0591	2
BOOT (Ref # 49006A)	49006-0592	2
RING-SNAP (Ref # 92033)	92033-0864	2
SEAL-OIL (Ref # 92049)	92049-0765	2
RING-O (Ref # 92055)	92055-0795	2
SEAL (Ref # 92093)	92093-0613	2
SPRING,RETURN,47MM (Ref # 92145)	92145-1690	2
SPRING,PAD (Ref # 92145A)	92145-2364	2
BOLT,SOCKET,10X23 (Ref # 92154)	92154-0713	8
BOLT,FLANGED,10X22 (Ref # 92154A)	92154-1327	4
BOLT,FLANGE,6X40 (Ref # 92154B)	92154-Y228	4
NUT (Ref # 92210)	92210-2216	2