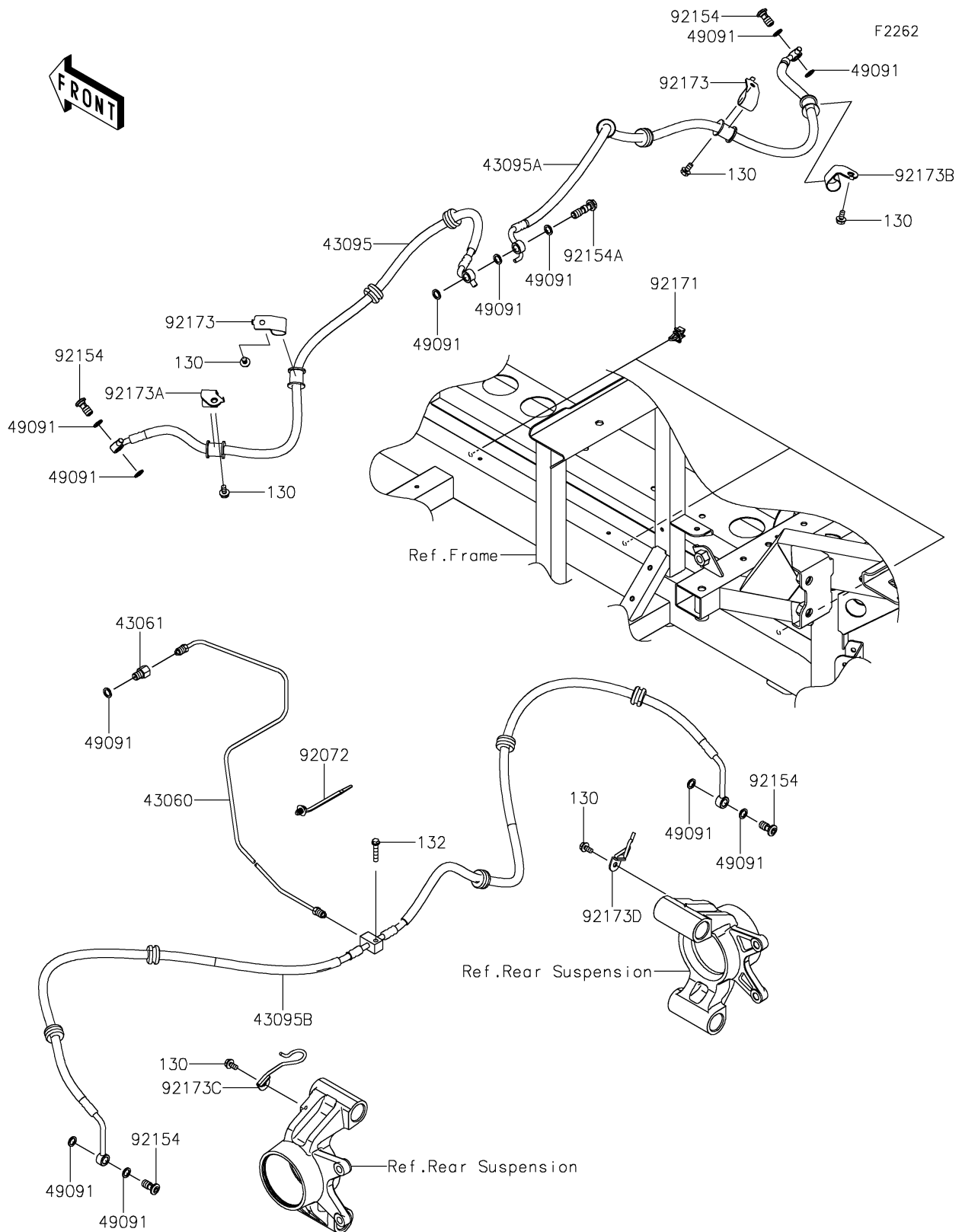


# 2026 RIDGE® HVAC

## PARTS DIAGRAM

### Brake Piping



# 2026 RIDGE® HVAC

## PARTS LIST

### Brake Piping

ITEM NAME	PART NUMBER	QUANTITY
PIPE-BRAKE,LH (Ref # 43060)	43060-0366	1
JOINT-BRAKE,M/C (Ref # 43061)	43061-0302	1
HOSE-BRAKE,921MM (Ref # 43095)	43095-1875	1
HOSE-BRAKE,1072.5MM (Ref # 43095A)	43095-1876	1
HOSE-BRAKE (Ref # 43095B)	43095-1877	1
WASHER-SEAL,10.1X14.5X1.5 (Ref # 49091)	49091-0001	12
BAND,OS170-FT7(BLACK) (Ref # 92072)	92072-1414	5
BOLT,HEXALOBULAR,10X21 (Ref # 92154)	92154-1328	4
BOLT,OIL,10X34.5 (Ref # 92154A)	92154-1398	1
CLAMP (Ref # 92171)	92171-0805	3
CLAMP (Ref # 92173)	92173-1216	2
CLAMP (Ref # 92173A)	92173-2539	1
CLAMP (Ref # 92173B)	92173-2540	1
CLAMP (Ref # 92173C)	92173-2541	1
CLAMP (Ref # 92173D)	92173-2542	1
BOLT-FLANGED,6X12 (Ref # 130)	130BA0612	6
BOLT-FLANGED-SMALL,6X30 (Ref # 132)	132BA0630	1