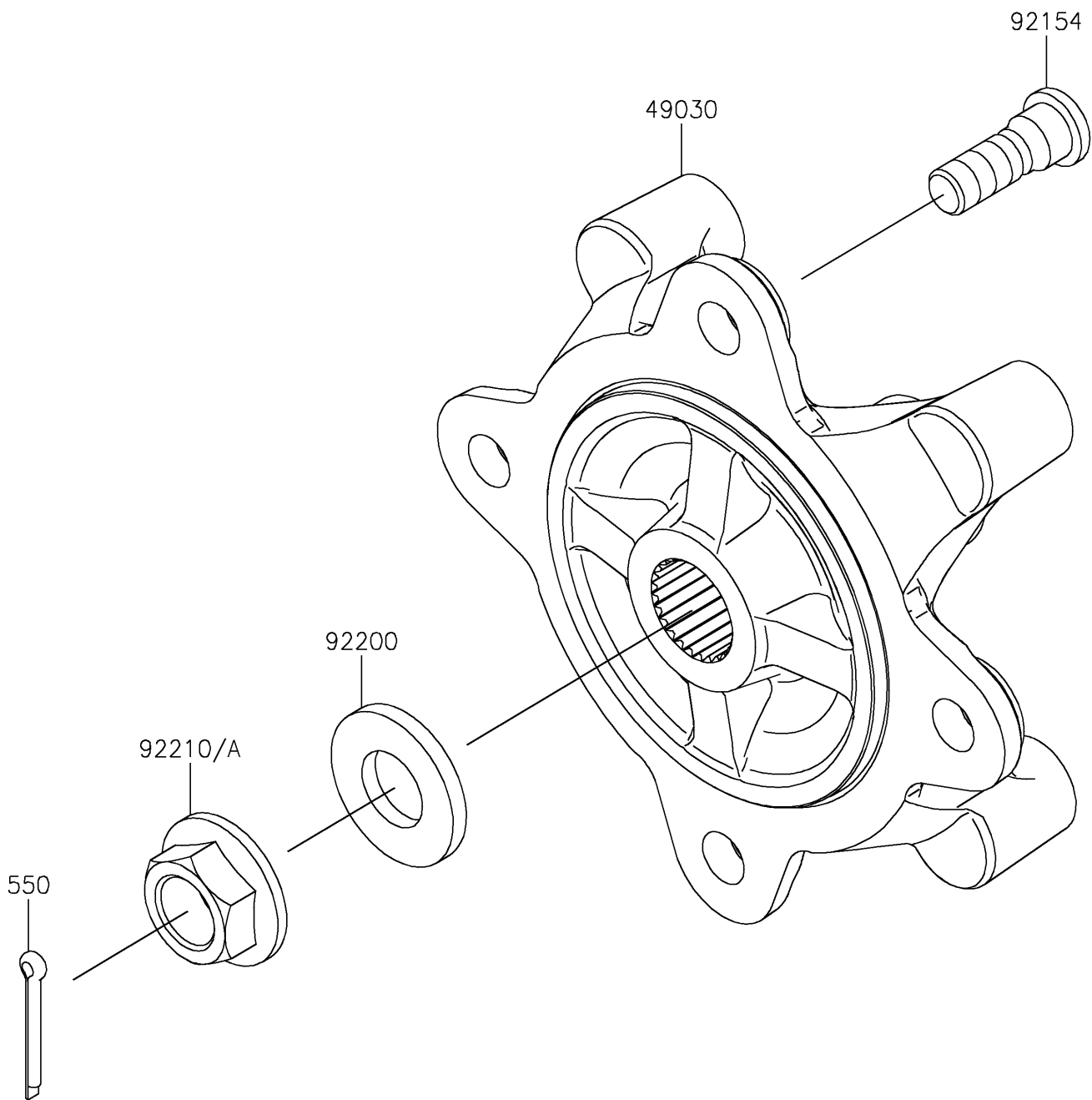


# 2026 RIDGE® HVAC

## PARTS DIAGRAM

### Front Hubs/Brakes

F2230



# 2026 RIDGE® HVAC

## PARTS LIST

### Front Hubs/Brakes

**ITEM NAME**

**PART NUMBER**

**QUANTITY**

---