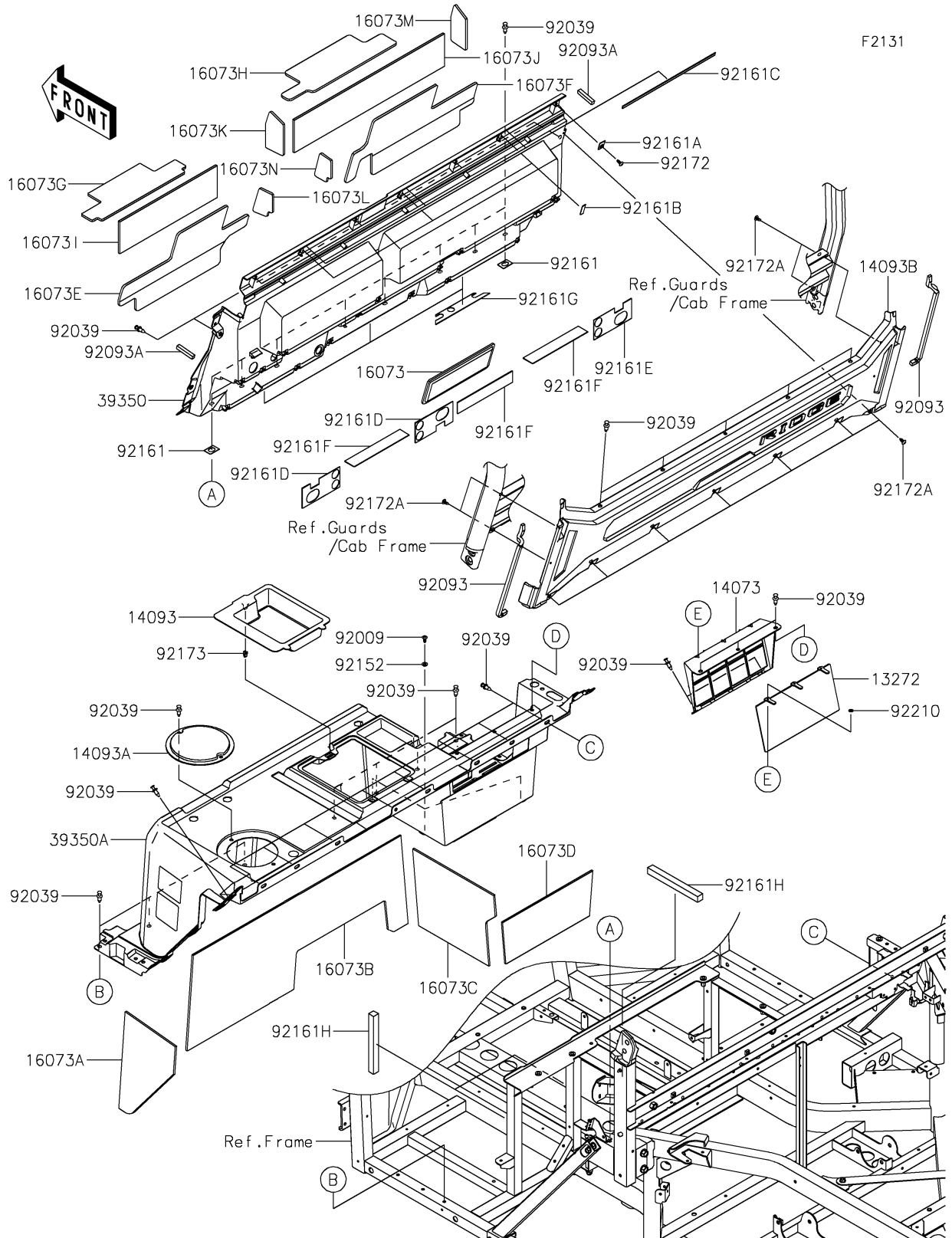


2026 RIDGE® HVAC

PARTS DIAGRAM

Frame Fittings(Rear)



2026 RIDGE® HVAC

PARTS LIST

Frame Fittings(Rear)

ITEM NAME	PART NUMBER	QUANTITY
PLATE,VENT FLAP (Ref # 13272)	13272-4095	1
DUCT,VENT (Ref # 14073)	14073-1921	1
COVER,TRAY (Ref # 14093)	14093-1333	1
COVER,HOLE (Ref # 14093A)	14093-1334	1
COVER,RR (Ref # 14093B)	14093-1353	1
INSULATOR,FR TUNNEL&BACK PANEL (Ref # 16073)	16073-0947	1
INSULATOR,SEAT PANEL,LH (Ref # 16073A)	16073-1131	1
INSULATOR,SEAT PANEL,CNT (Ref # 16073B)	16073-1132	1
INSULATOR,SEAT PANEL,CNT,RH (Ref # 16073C)	16073-1133	1
INSULATOR,SEAT PANEL,RH (Ref # 16073D)	16073-1134	1
INSULATOR,BACK PANEL,LH,LWR (Ref # 16073E)	16073-1135	1
INSULATOR,BACK PANEL,RH,LWR (Ref # 16073F)	16073-1136	1
INSULATOR,BACK PANEL,LH,MID (Ref # 16073G)	16073-1137	1
INSULATOR,BACK PANEL,RH,MID (Ref # 16073H)	16073-1138	1
INSULATOR,BACK PANEL,LH,UPP (Ref # 16073I)	16073-1139	1
INSULATOR,BACK PANEL,RH,UPP (Ref # 16073J)	16073-1140	1
INSULATOR,BACK PANEL,CNT,UPP (Ref # 16073K)	16073-1141	1
INSULATOR,BACK PANEL,CNT,MID,L (Ref # 16073L)	16073-1142	1
INSULATOR,BACK PANEL,RH,UPP,RH (Ref # 16073M)	16073-1143	1
INSULATOR,BACK PANEL,CNT,MID,R (Ref # 16073N)	16073-1144	1
PANEL,BACK (Ref # 39350)	39350-0003	1
PANEL,UNDER SEAT (Ref # 39350A)	39350-0010	1
SCREW,TAPPING,6X16 (Ref # 92009)	92009-1166	3
RIVET (Ref # 92039)	92039-0776	38
SEAL,10X10X395 (Ref # 92093)	92093-0780	2
SEAL,10X10X60 (Ref # 92093A)	92093-0786	2
COLLAR,6.3X9.5X4.1 (Ref # 92152)	92152-1571	3
DAMPER (Ref # 92161)	92161-2613	2
DAMPER (Ref # 92161A)	92161-2626	4

2026 RIDGE® HVAC

PARTS LIST

Frame Fittings(Rear)

ITEM NAME	PART NUMBER	QUANTITY
DAMPER,12X36X1.5 (Ref # 92161B)	92161-2627	3
DAMPER,10X370X1.5 (Ref # 92161C)	92161-2628	3
DAMPER (Ref # 92161D)	92161-2629	2
DAMPER (Ref # 92161E)	92161-2630	1
DAMPER,38X220X1.5 (Ref # 92161F)	92161-2631	3
DAMPER (Ref # 92161G)	92161-2632	3
DAMPER,20X200X20 (Ref # 92161H)	92161-2633	3
SCREW,6X16 (Ref # 92172)	92172-0284	4
SCREW,TAPPING,6X16 (Ref # 92172A)	92172-1470	11
CLAMP (Ref # 92173)	92173-1423	1
NUT (Ref # 92210)	92210-1796	3