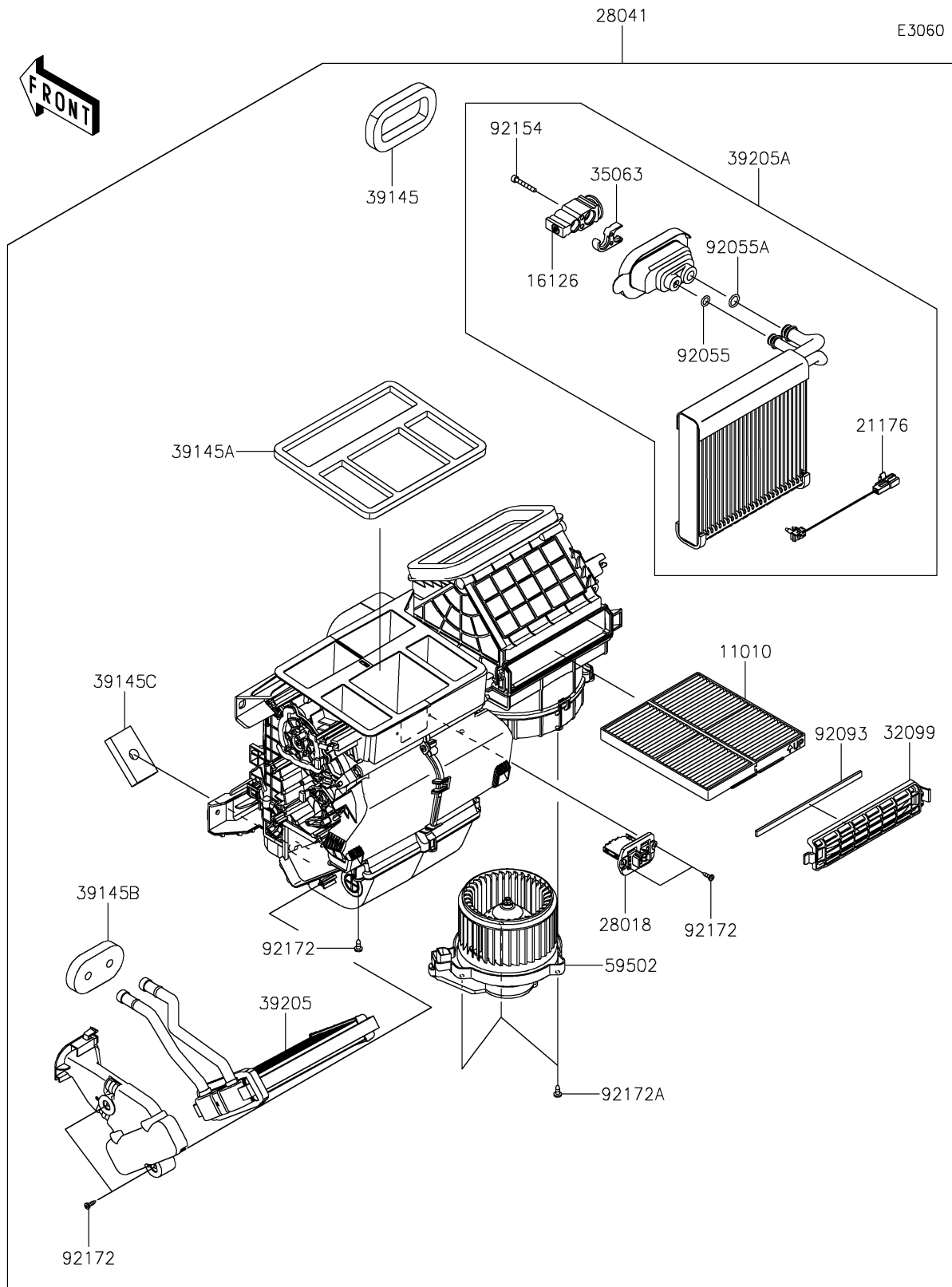


2026 RIDGE® HVAC

PARTS DIAGRAM

HVAC Unit



2026 RIDGE® HVAC

PARTS LIST

HVAC Unit

| ITEM NAME | PART NUMBER | QUANTITY |
|------------------------------------|-------------|----------|
| FILTER-ASSY-AIR,HVAC (Ref # 11010) | 11010-1872 | 1 |
| VALVE (Ref # 16126) | 16126-0780 | 1 |
| SENSOR,THERMISTOR (Ref # 21176) | 21176-1284 | 1 |
| RESISTOR (Ref # 28018) | 28018-0015 | 1 |
| AC-UNIT-ASSY (Ref # 28041) | 28041-0005 | 1 |
| CASE,AIR FILTER (Ref # 32099) | 32099-0851 | 1 |
| STAY (Ref # 35063) | 35063-1649 | 1 |
| TRIM-SEAL (Ref # 39145) | 39145-0814 | 1 |
| TRIM-SEAL (Ref # 39145A) | 39145-0815 | 1 |
| TRIM-SEAL (Ref # 39145B) | 39145-0816 | 1 |
| TRIM-SEAL (Ref # 39145C) | 39145-0817 | 1 |
| HEAT EXCHANGER (Ref # 39205) | 39205-0004 | 1 |
| HEAT EXCHANGER (Ref # 39205A) | 39205-0006 | 1 |
| FAN-ASSY (Ref # 59502) | 59502-0663 | 1 |
| RING-O (Ref # 92055) | 92055-1773 | 1 |
| RING-O (Ref # 92055A) | 92055-1774 | 1 |
| SEAL (Ref # 92093) | 92093-0835 | 1 |
| BOLT (Ref # 92154) | 92154-7701 | 2 |
| SCREW (Ref # 92172) | 92172-1677 | 10 |
| SCREW (Ref # 92172A) | 92172-1678 | 3 |