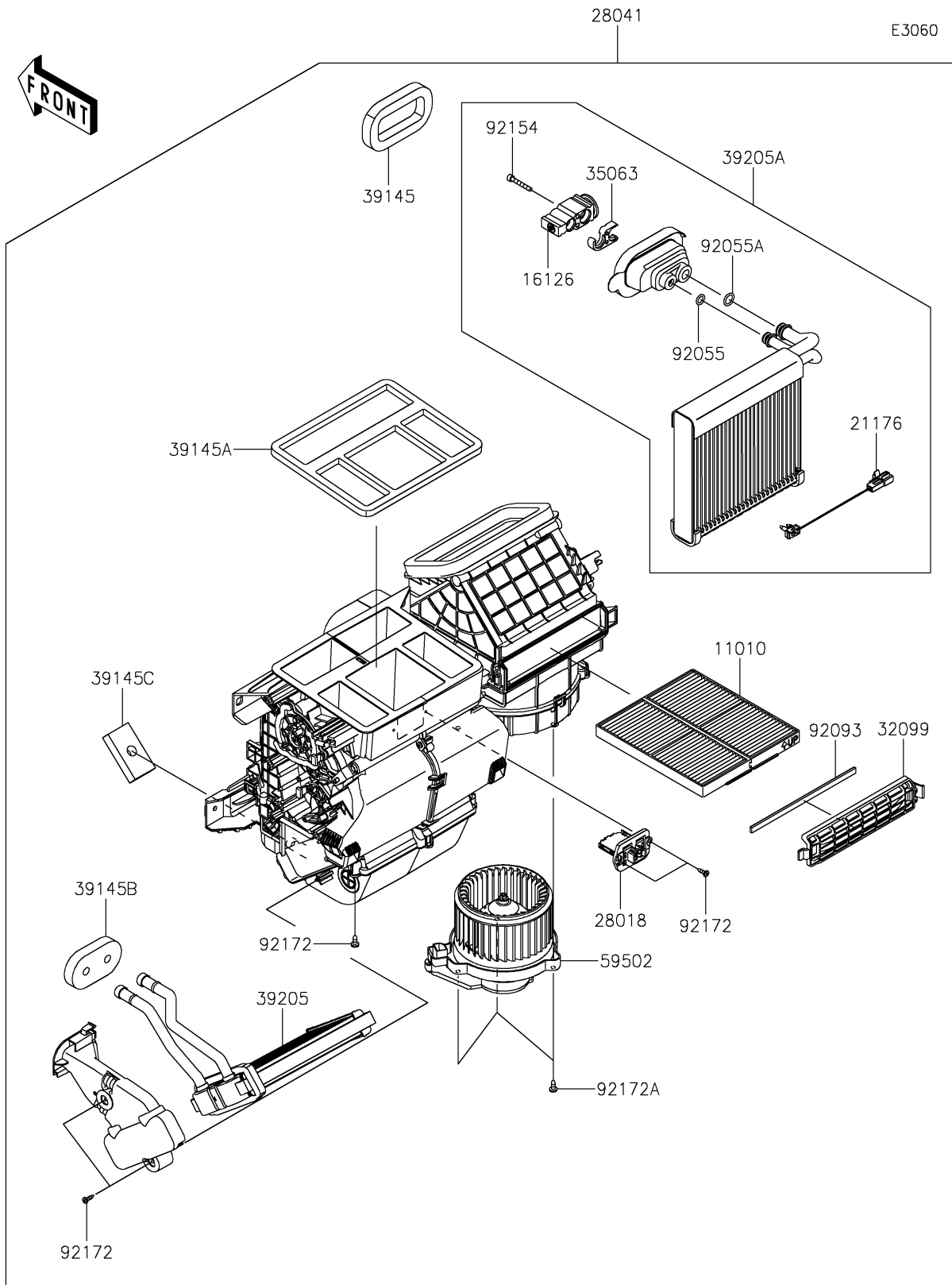


# 2026 RIDGE HVAC

## PARTS DIAGRAM

### HVAC Unit



# 2026 RIDGE HVAC

## PARTS LIST

### HVAC Unit

| ITEM NAME                          | PART NUMBER | QUANTITY |
|------------------------------------|-------------|----------|
| FILTER-ASSY-AIR,HVAC (Ref # 11010) | 11010-1872  | 1        |
| VALVE (Ref # 16126)                | 16126-0780  | 1        |
| SENSOR,THERMISTOR (Ref # 21176)    | 21176-1284  | 1        |
| RESISTOR (Ref # 28018)             | 28018-0015  | 1        |
| AC-UNIT-ASSY (Ref # 28041)         | 28041-0005  | 1        |
| CASE,AIR FILTER (Ref # 32099)      | 32099-0851  | 1        |
| STAY (Ref # 35063)                 | 35063-1649  | 1        |
| TRIM-SEAL (Ref # 39145)            | 39145-0814  | 1        |
| TRIM-SEAL (Ref # 39145A)           | 39145-0815  | 1        |
| TRIM-SEAL (Ref # 39145B)           | 39145-0816  | 1        |
| TRIM-SEAL (Ref # 39145C)           | 39145-0817  | 1        |
| HEAT EXCHANGER (Ref # 39205)       | 39205-0004  | 1        |
| HEAT EXCHANGER (Ref # 39205A)      | 39205-0006  | 1        |
| FAN-ASSY (Ref # 59502)             | 59502-0663  | 1        |
| RING-O (Ref # 92055)               | 92055-1773  | 1        |
| RING-O (Ref # 92055A)              | 92055-1774  | 1        |
| SEAL (Ref # 92093)                 | 92093-0835  | 1        |
| BOLT (Ref # 92154)                 | 92154-7701  | 2        |
| SCREW (Ref # 92172)                | 92172-1677  | 10       |
| SCREW (Ref # 92172A)               | 92172-1678  | 3        |