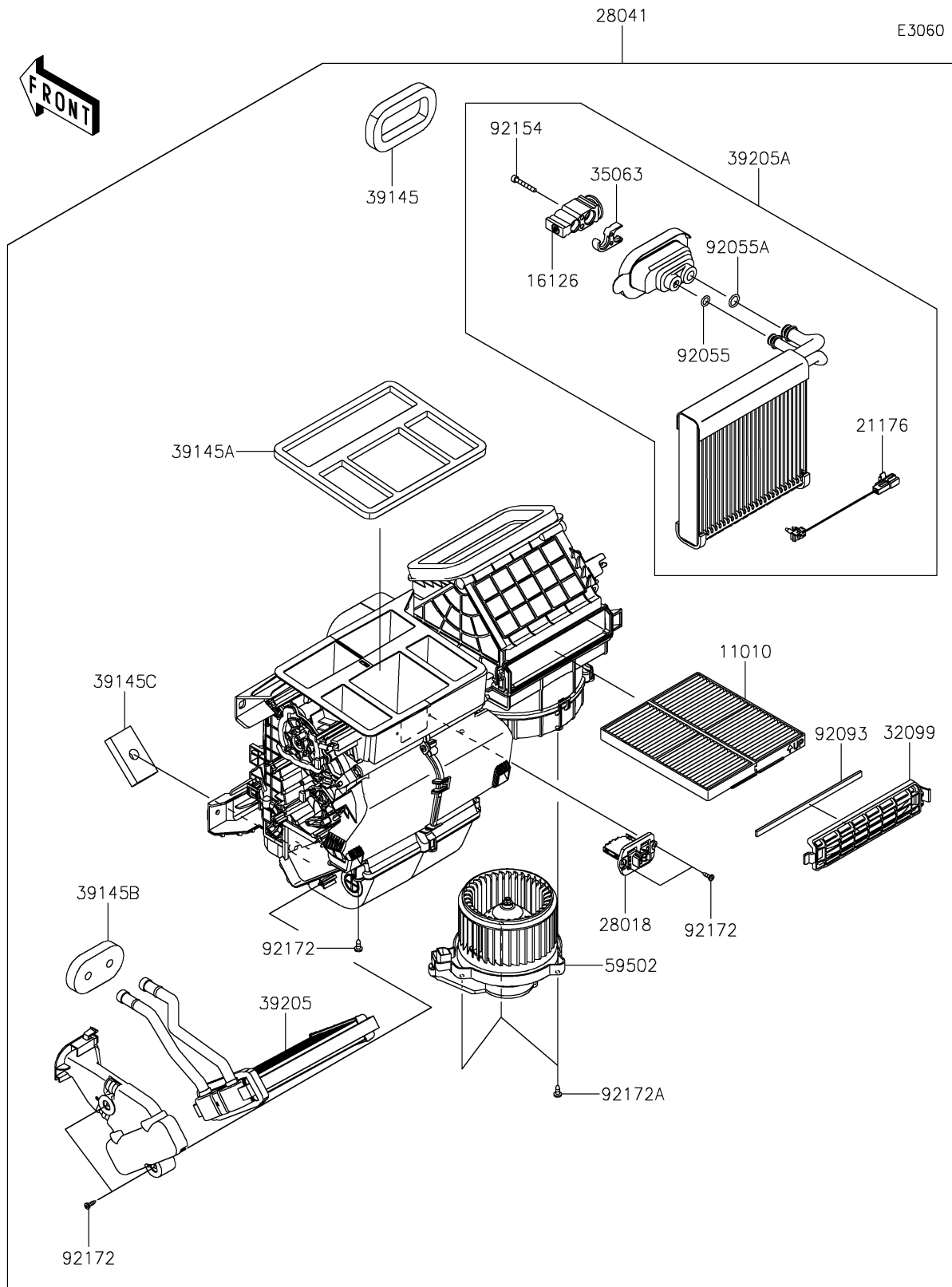


2026 RIDGE® HVAC CAMO

PARTS DIAGRAM

HVAC Unit



2026 RIDGE® HVAC CAMO

PARTS LIST

HVAC Unit

ITEM NAME	PART NUMBER	QUANTITY
FILTER-ASSY-AIR,HVAC (Ref # 11010)	11010-1872	1
VALVE (Ref # 16126)	16126-0780	1
SENSOR,THERMISTOR (Ref # 21176)	21176-1284	1
RESISTOR (Ref # 28018)	28018-0015	1
AC-UNIT-ASSY (Ref # 28041)	28041-0005	1
CASE,AIR FILTER (Ref # 32099)	32099-0851	1
STAY (Ref # 35063)	35063-1649	1
TRIM-SEAL (Ref # 39145)	39145-0814	1
TRIM-SEAL (Ref # 39145A)	39145-0815	1
TRIM-SEAL (Ref # 39145B)	39145-0816	1
TRIM-SEAL (Ref # 39145C)	39145-0817	1
HEAT EXCHANGER (Ref # 39205)	39205-0004	1
HEAT EXCHANGER (Ref # 39205A)	39205-0006	1
FAN-ASSY (Ref # 59502)	59502-0663	1
RING-O (Ref # 92055)	92055-1773	1
RING-O (Ref # 92055A)	92055-1774	1
SEAL (Ref # 92093)	92093-0835	1
BOLT (Ref # 92154)	92154-7701	2
SCREW (Ref # 92172)	92172-1677	10
SCREW (Ref # 92172A)	92172-1678	3