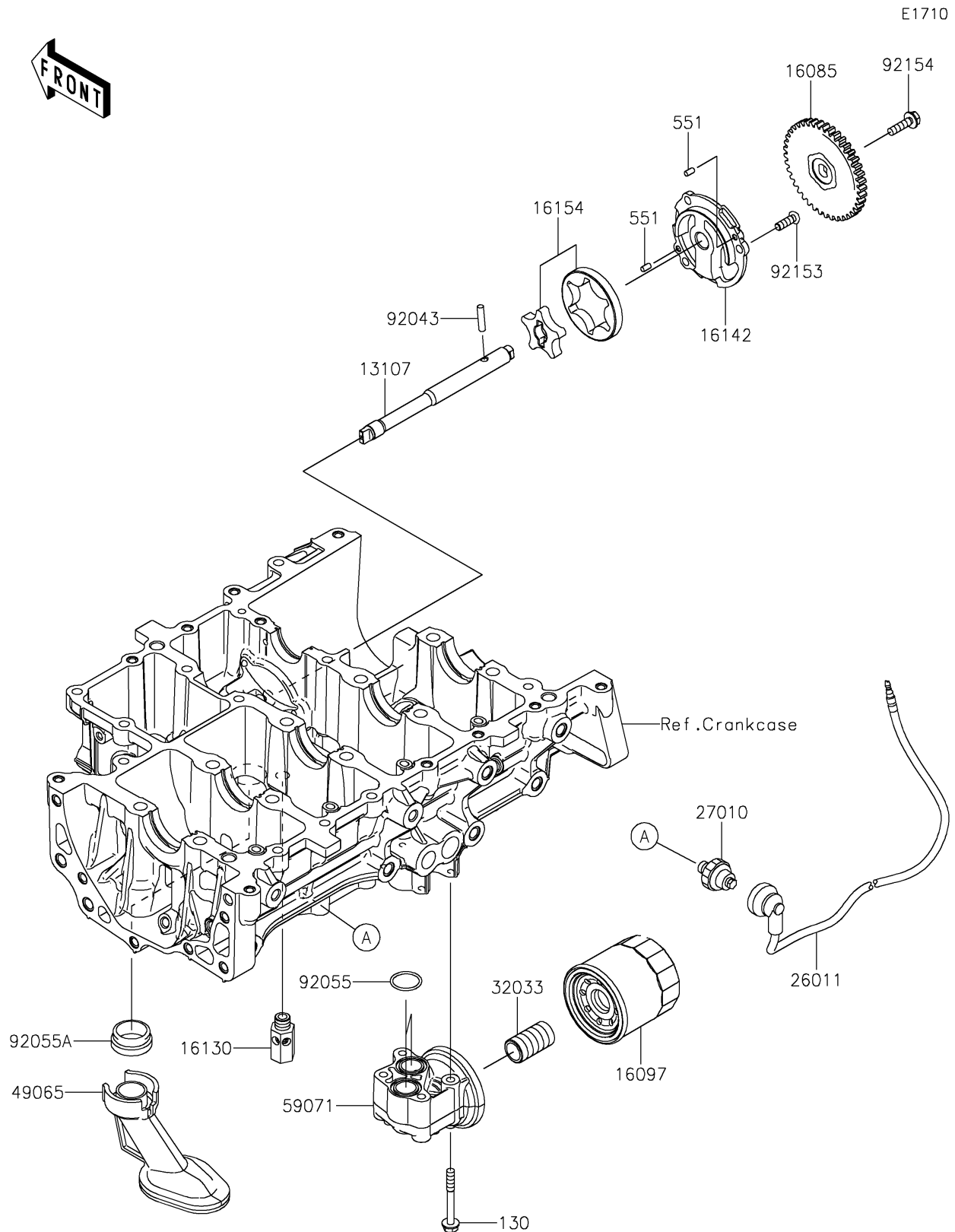


2026 RIDGE® HVAC CAMO

PARTS DIAGRAM

Oil Pump/Oil Filter



2026 RIDGE® HVAC CAMO

PARTS LIST

Oil Pump/Oil Filter

| ITEM NAME | PART NUMBER | QUANTITY |
|-----------------------------------|-------------|----------|
| SHAFT,OIL PUMP (Ref # 13107) | 13107-1560 | 1 |
| GEAR,OIL PUMP,41T (Ref # 16085) | 16085-0726 | 1 |
| FILTER-ASSY-OIL (Ref # 16097) | 16097-0007 | 1 |
| VALVE-ASSY-RELIEF (Ref # 16130) | 16130-1058 | 1 |
| COVER-PUMP (Ref # 16142) | 16142-0782 | 1 |
| ROTOR-PUMP (Ref # 16154) | 16154-0791 | 1 |
| WIRE-LEAD (Ref # 26011) | 26011-2434 | 1 |
| SWITCH,OIL PRESSURE (Ref # 27010) | 27010-1313 | 1 |
| PIPE,OIL FILTER (Ref # 32033) | 32033-1535 | 1 |
| FILTER-OIL (Ref # 49065) | 49065-0730 | 1 |
| JOINT,OIL FILTER (Ref # 59071) | 59071-0787 | 1 |
| PIN,5X21.8 (Ref # 92043) | 92043-1518 | 1 |
| RING-O,20.8X1.9 (Ref # 92055) | 92055-0053 | 2 |
| RING-O,OIL FILTER (Ref # 92055A) | 92055-1503 | 1 |
| BOLT,TORX,6X18 (Ref # 92153) | 92153-0454 | 3 |
| BOLT,FLANGED,6X22 (Ref # 92154) | 92154-1525 | 1 |
| BOLT-FLANGED,6X50 (Ref # 130) | 130BA0650 | 4 |
| PIN-DOWEL,4X8 (Ref # 551) | 551A0408 | 2 |