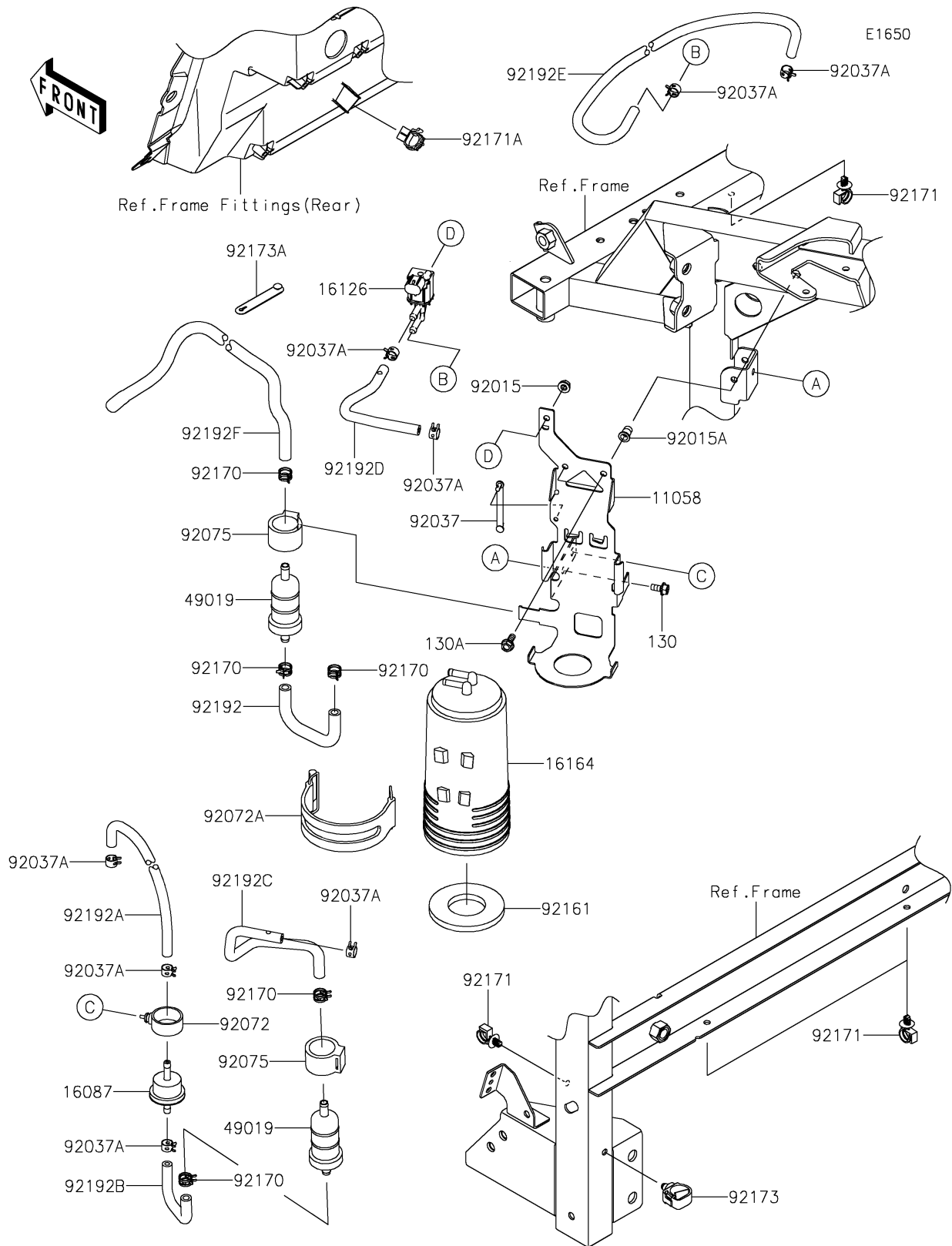


# 2026 RIDGE® HVAC

## PARTS DIAGRAM

### Fuel Evaporative System(CA)



# 2026 RIDGE® HVAC

## PARTS LIST

Fuel Evaporative System(CA)

**ITEM NAME**

**PART NUMBER**

**QUANTITY**

---