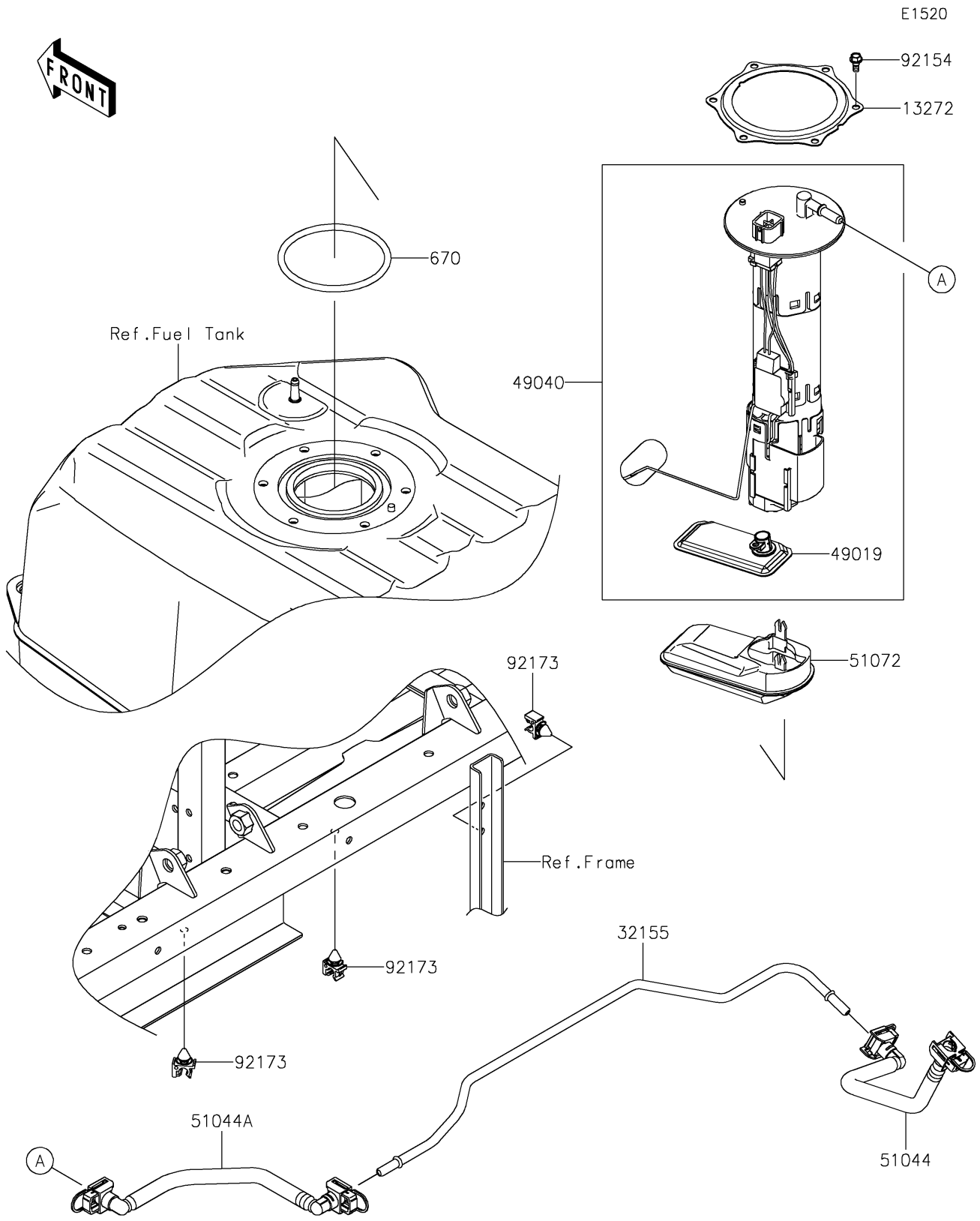


# 2026 RIDGE HVAC

## PARTS DIAGRAM

### Fuel Pump



# 2026 RIDGE HVAC

## PARTS LIST

### Fuel Pump

| ITEM NAME                           | PART NUMBER | QUANTITY |
|-------------------------------------|-------------|----------|
| PLATE (Ref # 13272)                 | 13272-2500  | 1        |
| PIPE,FUEL (Ref # 32155)             | 32155-7458  | 1        |
| FILTER-FUEL (Ref # 49019)           | 49019-0034  | 1        |
| PUMP-FUEL (Ref # 49040)             | 49040-0828  | 1        |
| TUBE-ASSY,PIPE-ENGINE (Ref # 51044) | 51044-1240  | 1        |
| TUBE-ASSY,PUMP-PIPE (Ref # 51044A)  | 51044-1241  | 1        |
| CHAMBER-FUEL (Ref # 51072)          | 51072-0008  | 1        |
| BOLT,FUEL PUMP (Ref # 92154)        | 92154-1326  | 6        |
| CLAMP,FUEL PIPE (Ref # 92173)       | 92173-1213  | 3        |
| O RING (Ref # 670)                  | 670E5090    | 1        |