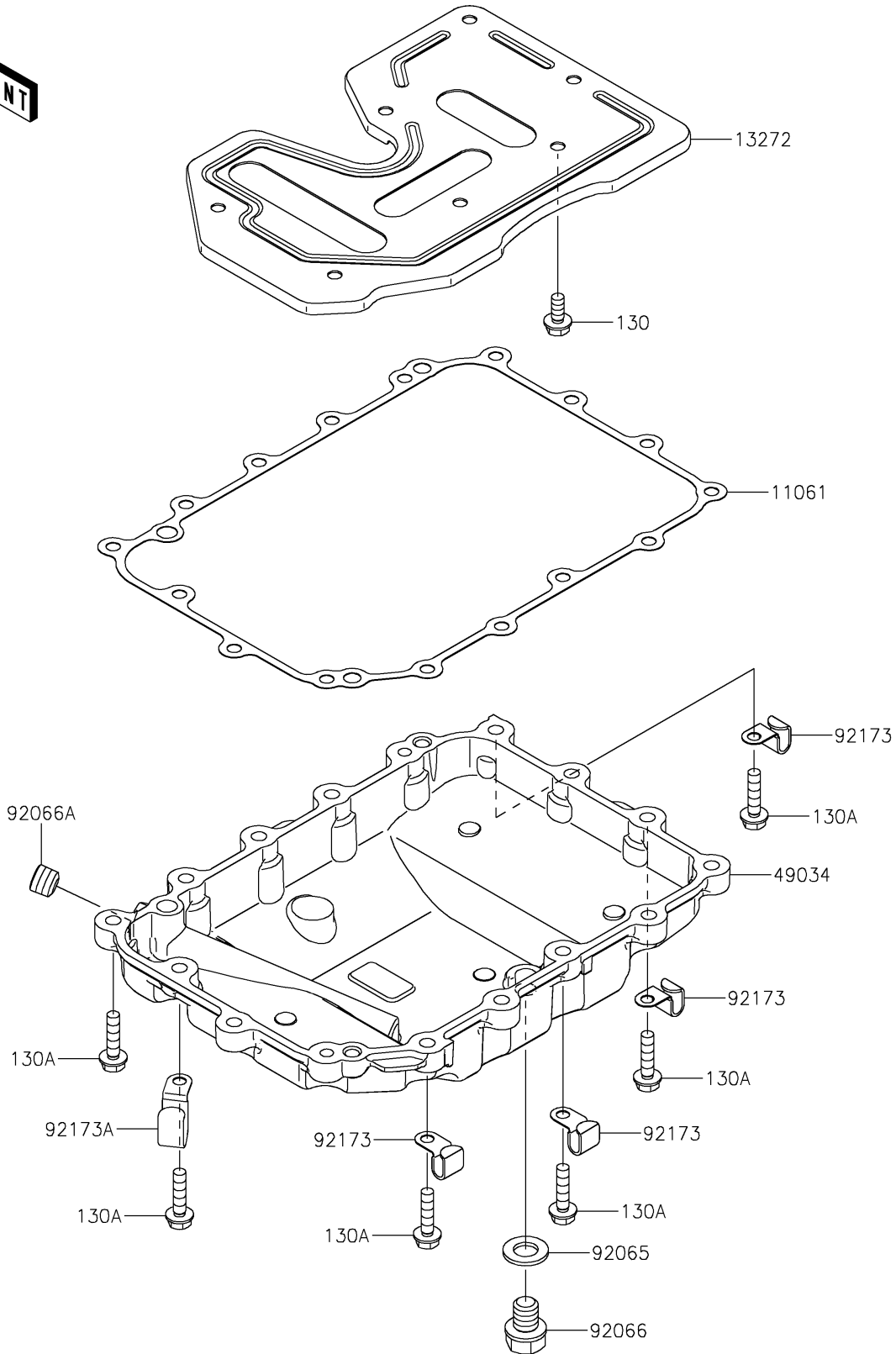


# 2026 RIDGE® HVAC CAMO

## PARTS DIAGRAM

### Oil Pan

E1434



# 2026 RIDGE® HVAC CAMO

## PARTS LIST

### Oil Pan

ITEM NAME	PART NUMBER	QUANTITY
GASKET,OIL PAN (Ref # 11061)	11061-1453	1
PLATE,OIL PAN (Ref # 13272)	13272-4094	1
PAN-OIL (Ref # 49034)	49034-0583	1
GASKET,12X22X2 (Ref # 92065)	92065-097	1
PLUG,OIL DRAIN,12X15 (Ref # 92066)	92066-1174	1
PLUG (Ref # 92066A)	92066-1597	1
CLAMP,12X45 (Ref # 92173)	92173-1839	4
CLAMP (Ref # 92173A)	92173-2588	1
BOLT-FLANGED,6X14 (Ref # 130)	130BA0614	7
BOLT-FLANGED,6X25 (Ref # 130A)	130BA0625	16