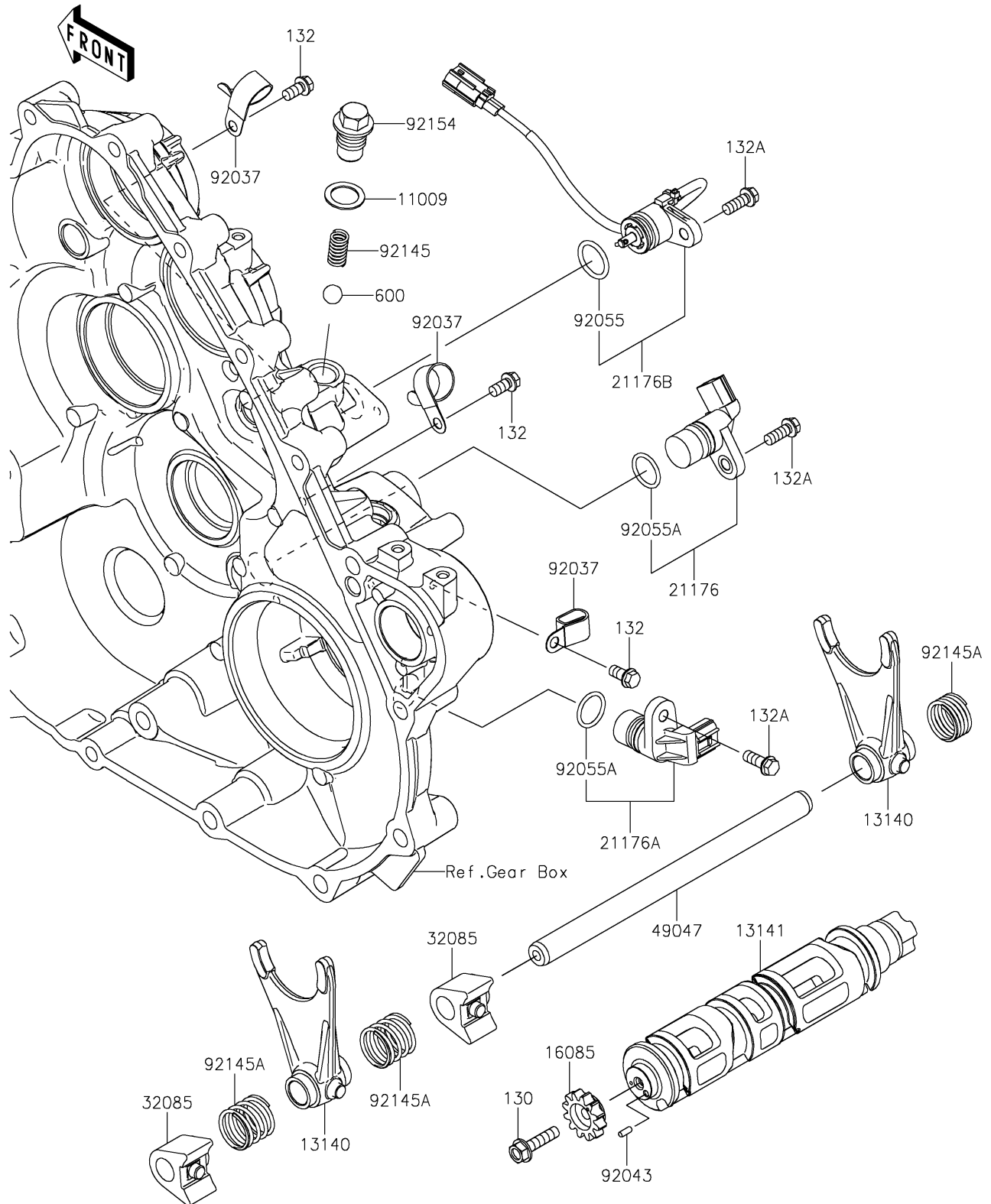


2026 RIDGE HVAC Camo

PARTS DIAGRAM

Gear Change Drum/Shift Fork(s)

E1362



2026 RIDGE HVAC Camo

PARTS LIST

Gear Change Drum/Shift Fork(s)

ITEM NAME	PART NUMBER	QUANTITY
-----------	-------------	----------
