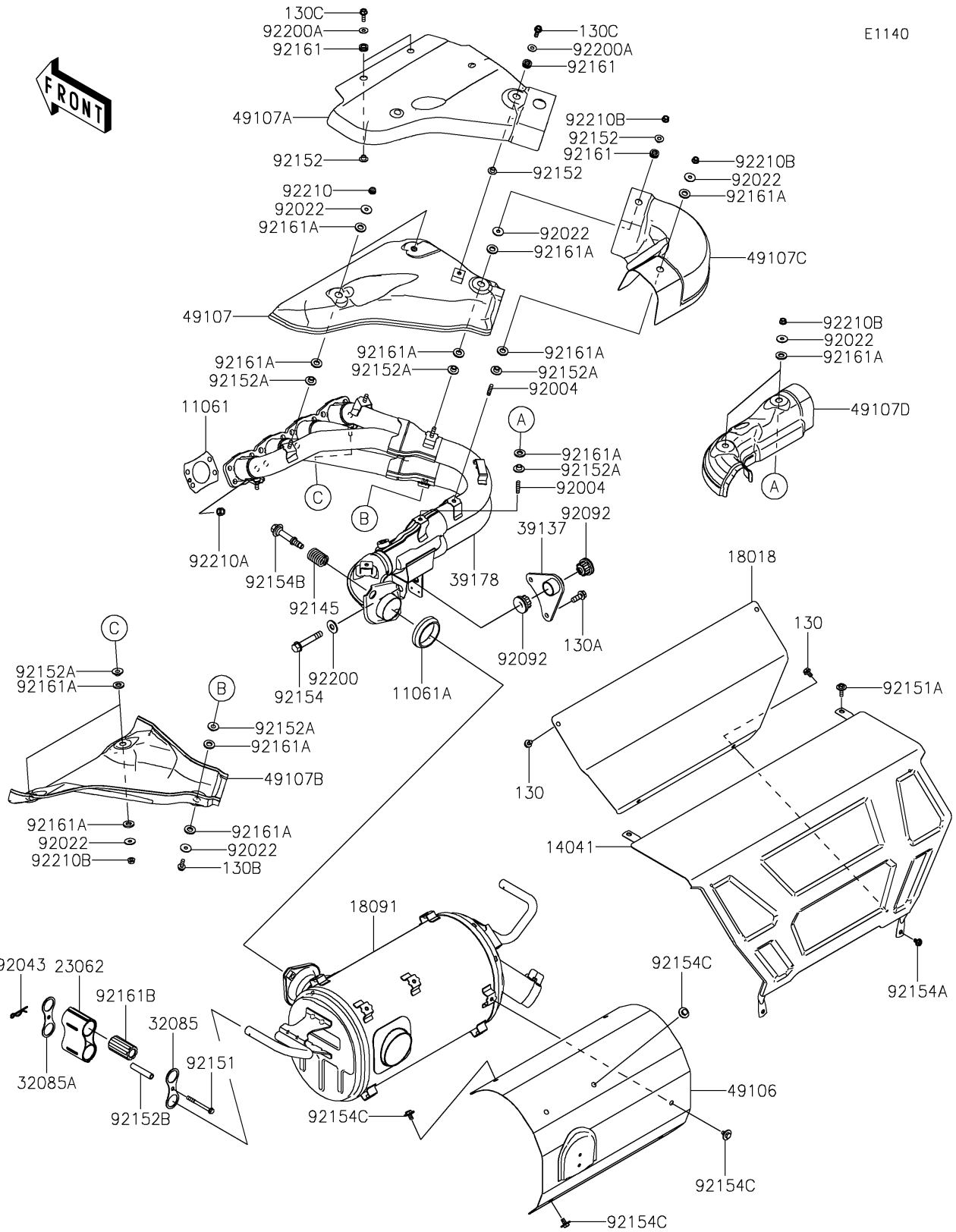


# 2026 RIDGE HVAC

## PARTS DIAGRAM

### Muffler(s)



# 2026 RIDGE HVAC

## PARTS LIST

### Muffler(s)

ITEM NAME	PART NUMBER	QUANTITY
GASKET,CYL.HEAD-EXHAUST PIPE (Ref # 11061)	11061-1472	4
GASKET,EXHAUST PIPE-MUFFLER (Ref # 11061A)	11061-1473	1
COVER-COMP (Ref # 14041)	14041-0635	1
PLATE-HEAT GUARD (Ref # 18018)	18018-0648	1
BODY-COMP-MUFFLER (Ref # 18091)	18091-1296	1
BRACKET-COMP (Ref # 23062)	23062-1415	2
STOPPER (Ref # 32085)	32085-0905	2
STOPPER (Ref # 32085A)	32085-0906	2
STAY-COMP (Ref # 39137)	39137-0736	1
MANIFOLD-COMP-EXHAUST (Ref # 39178)	39178-0450	1
COVER-MUFFLER (Ref # 49106)	49106-0879	1
COVER-EXHAUST PIPE (Ref # 49107)	49107-0873	1
COVER-EXHAUST PIPE,FR UPPER (Ref # 49107A)	49107-0874	1
COVER-EXHAUST PIPE,FR LOWER (Ref # 49107B)	49107-0875	1
COVER-EXHAUST PIPE,CNT (Ref # 49107C)	49107-0876	1
COVER-EXHAUST PIPE,RR (Ref # 49107D)	49107-0877	1
STUD,6X18 (Ref # 92004)	92004-0799	3
WASHER,6.5X20X1.5 (Ref # 92022)	92022-3710	9
PIN (Ref # 92043)	92043-1781	2
BUSHING-RUBBER (Ref # 92092)	92092-1081	2
SPRING (Ref # 92145)	92145-2262	2
BOLT,6X60 (Ref # 92151)	92151-1795	2
BOLT (Ref # 92151A)	92151-2139	2
COLLAR,6.3X8.3X16 (Ref # 92152)	92152-0286	4
COLLAR (Ref # 92152A)	92152-0423	9
COLLAR (Ref # 92152B)	92152-2943	2
BOLT,FLANGED,10X60 (Ref # 92154)	92154-0263	1
BOLT,FLANGED,6X10 (Ref # 92154A)	92154-0492	2
BOLT,MUFFLER (Ref # 92154B)	92154-4485	2

# 2026 RIDGE HVAC

## PARTS LIST

### Muffler(s)

ITEM NAME	PART NUMBER	QUANTITY
BOLT,6X12 (Ref # 92154C)	92154-7240	7
DAMPER (Ref # 92161)	92161-0308	4
DAMPER (Ref # 92161A)	92161-0319	18
DAMPER (Ref # 92161B)	92161-2494	4
WASHER,10.5X25X2.0 (Ref # 92200)	92200-1377	1
WASHER,6.5X16X1.0 (Ref # 92200A)	92200-3712	3
NUT,6MM (Ref # 92210)	92210-0991	2
NUT,8MM (Ref # 92210A)	92210-1242	10
NUT,6MM (Ref # 92210B)	92210-1787	6
BOLT-FLANGED,6X10 (Ref # 130)	130BA0610	4
BOLT-FLANGED,8X22 (Ref # 130A)	130BA0822	2
BOLT-FLANGED,6X16 (Ref # 130B)	130BD0616	1
BOLT-FLANGED,6X18 (Ref # 130C)	130BD0618	3