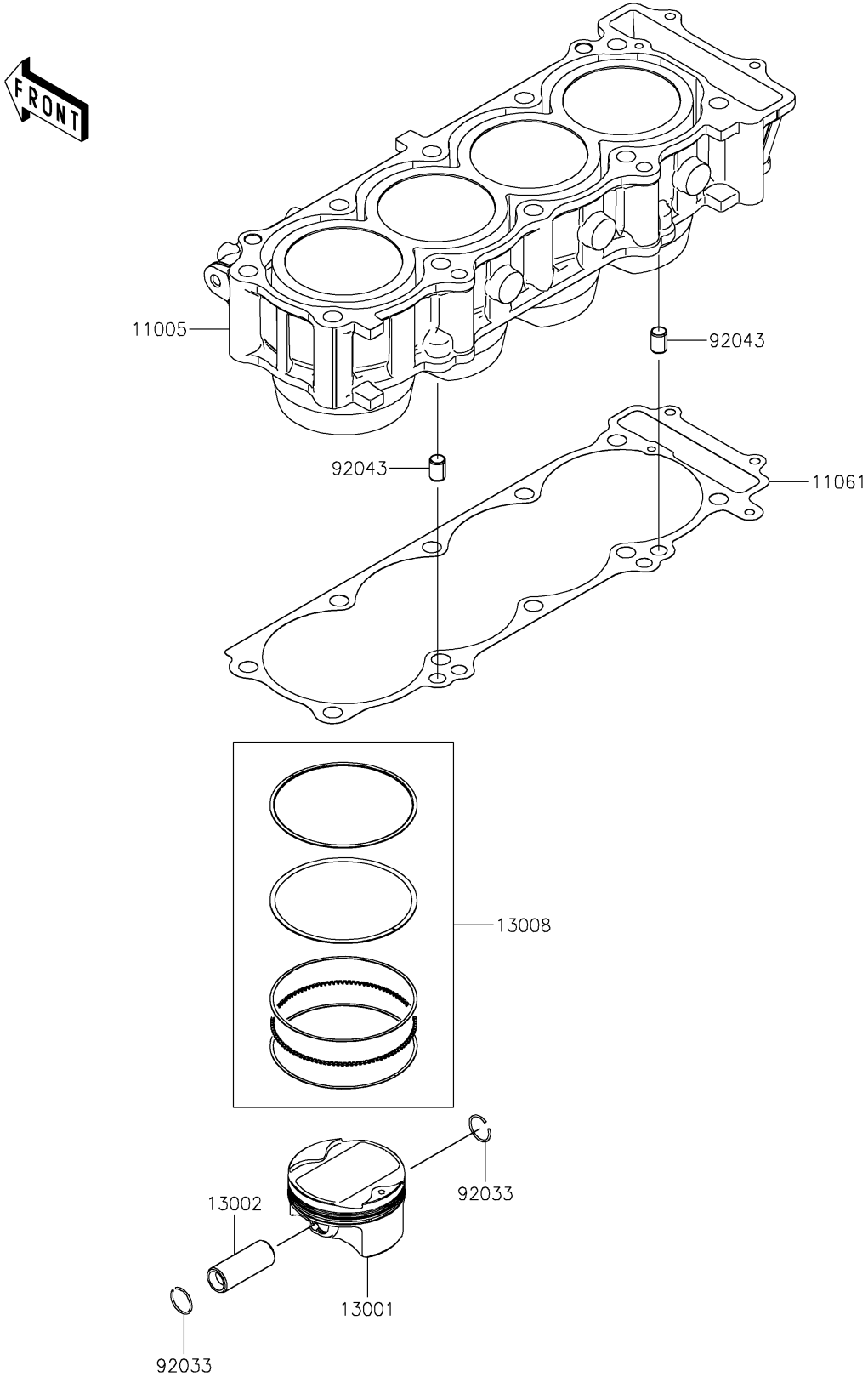


2026 RIDGE HVAC Camo

PARTS DIAGRAM

Cylinder/Piston(s)

E1120



2026 RIDGE HVAC Camo

PARTS LIST

Cylinder/Piston(s)

| ITEM NAME | PART NUMBER | QUANTITY |
|------------------------------------|-------------|----------|
| CYLINDER-ENGINE (Ref # 11005) | 11005-0733 | 1 |
| GASKET,CYLINDER BASE (Ref # 11061) | 11061-1482 | 1 |
| PISTON-ENGINE (Ref # 13001) | 13001-0843 | 4 |
| PIN-PISTON (Ref # 13002) | 13002-0733 | 4 |
| RING-SET-PISTON (Ref # 13008) | 13008-0571 | 4 |
| RING-SNAP (Ref # 92033) | 92033-1054 | 8 |
| PIN,8.2X10X14 (Ref # 92043) | 92043-1264 | 2 |