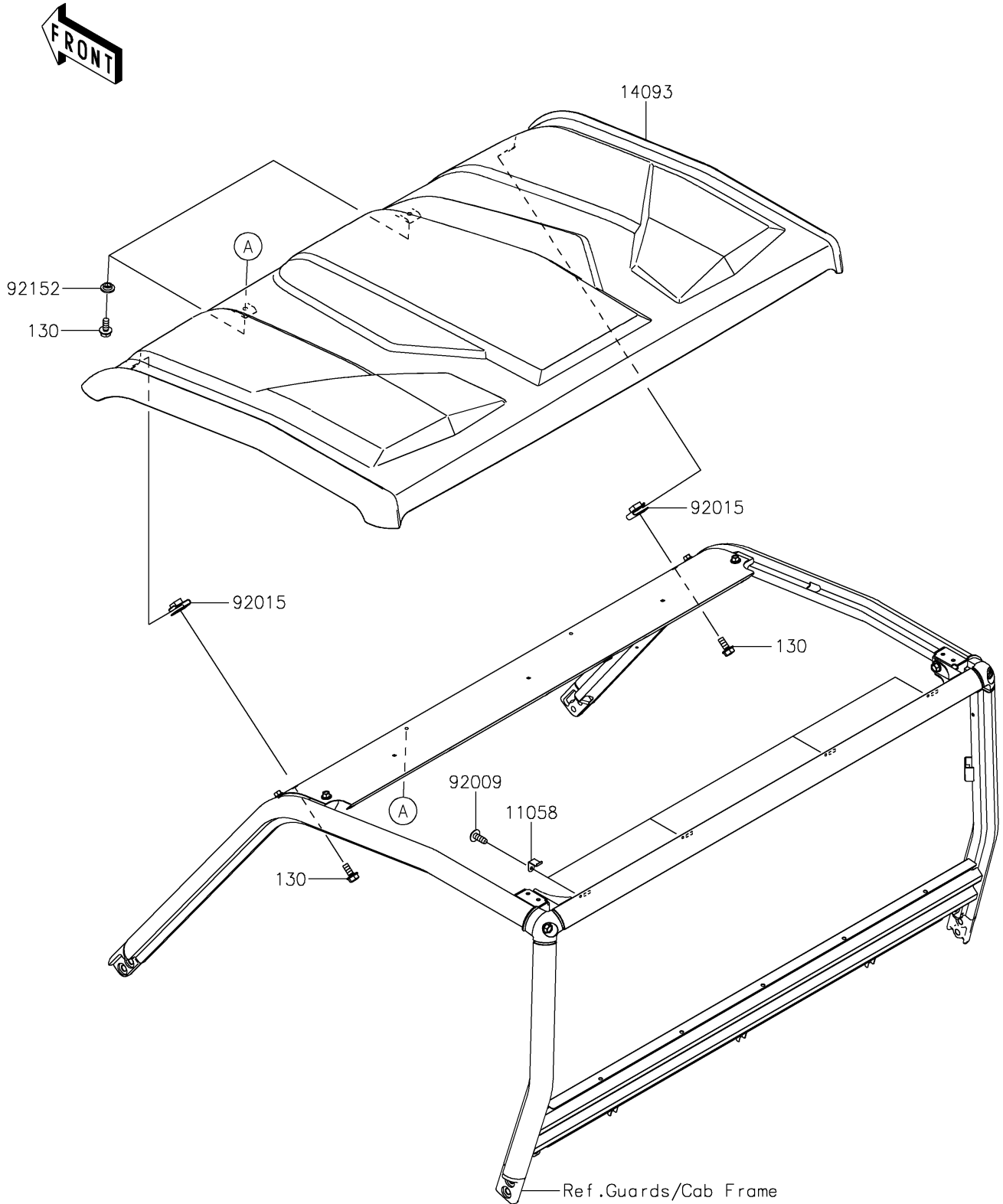


2026 RIDGE

PARTS DIAGRAM

Sun Top

F2876



2026 RIDGE

PARTS LIST

Sun Top

ITEM NAME	PART NUMBER	QUANTITY
BRACKET,ROOF (Ref # 11058)	11058-0254	4
COVER,ROOF (Ref # 14093)	14093-1352	1
SCREW,TAPPING,6X16 (Ref # 92009)	92009-1166	4
NUT,6MM (Ref # 92015)	92015-1602	2
COLLAR,6.3X9.5X4.1 (Ref # 92152)	92152-1571	2
BOLT-FLANGED,6X14 (Ref # 130)	130BA0614	4