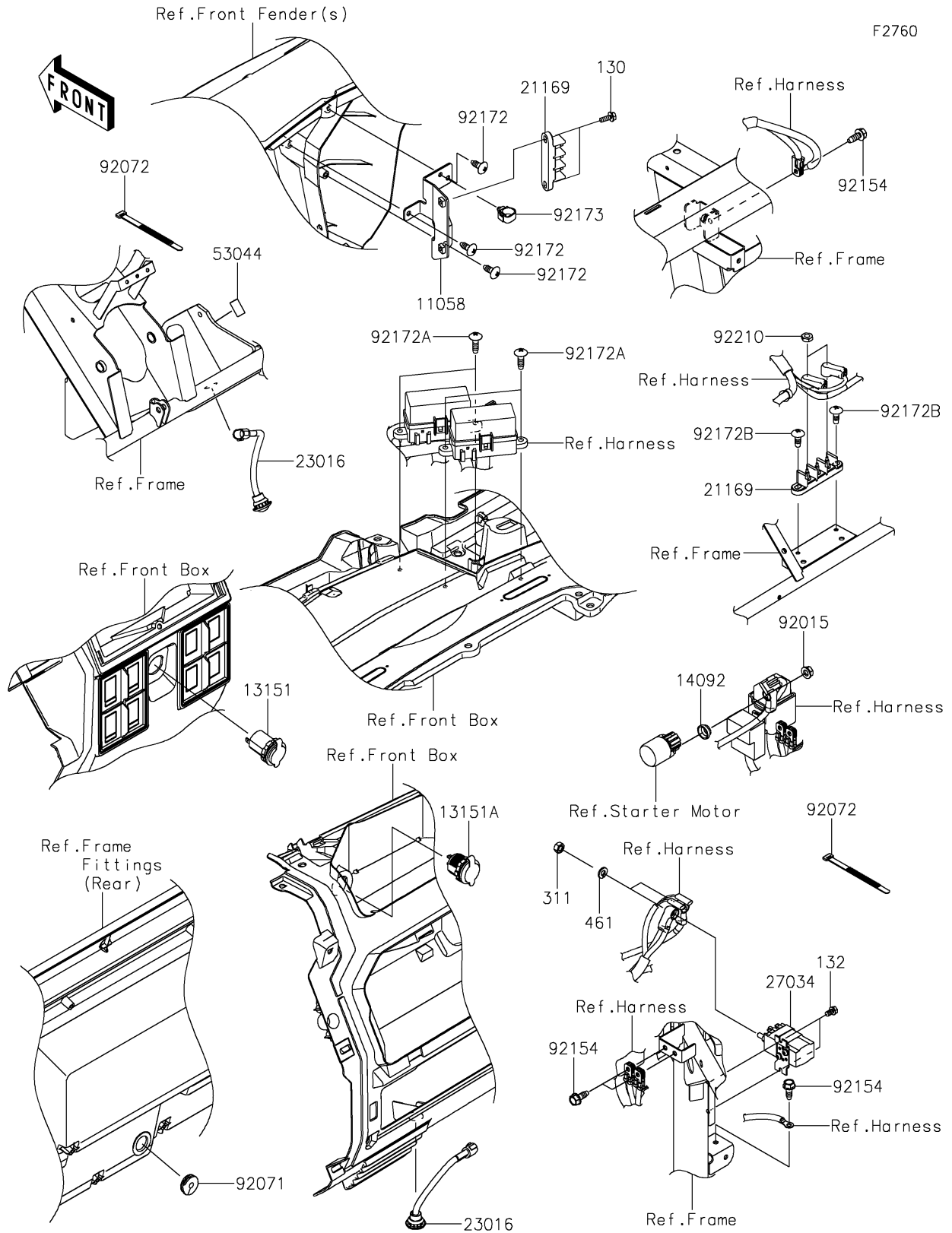


2026 RIDGE®

PARTS DIAGRAM

Chassis Electrical Equipment



2026 RIDGE®

PARTS LIST

Chassis Electrical Equipment

ITEM NAME

PART NUMBER

QUANTITY
