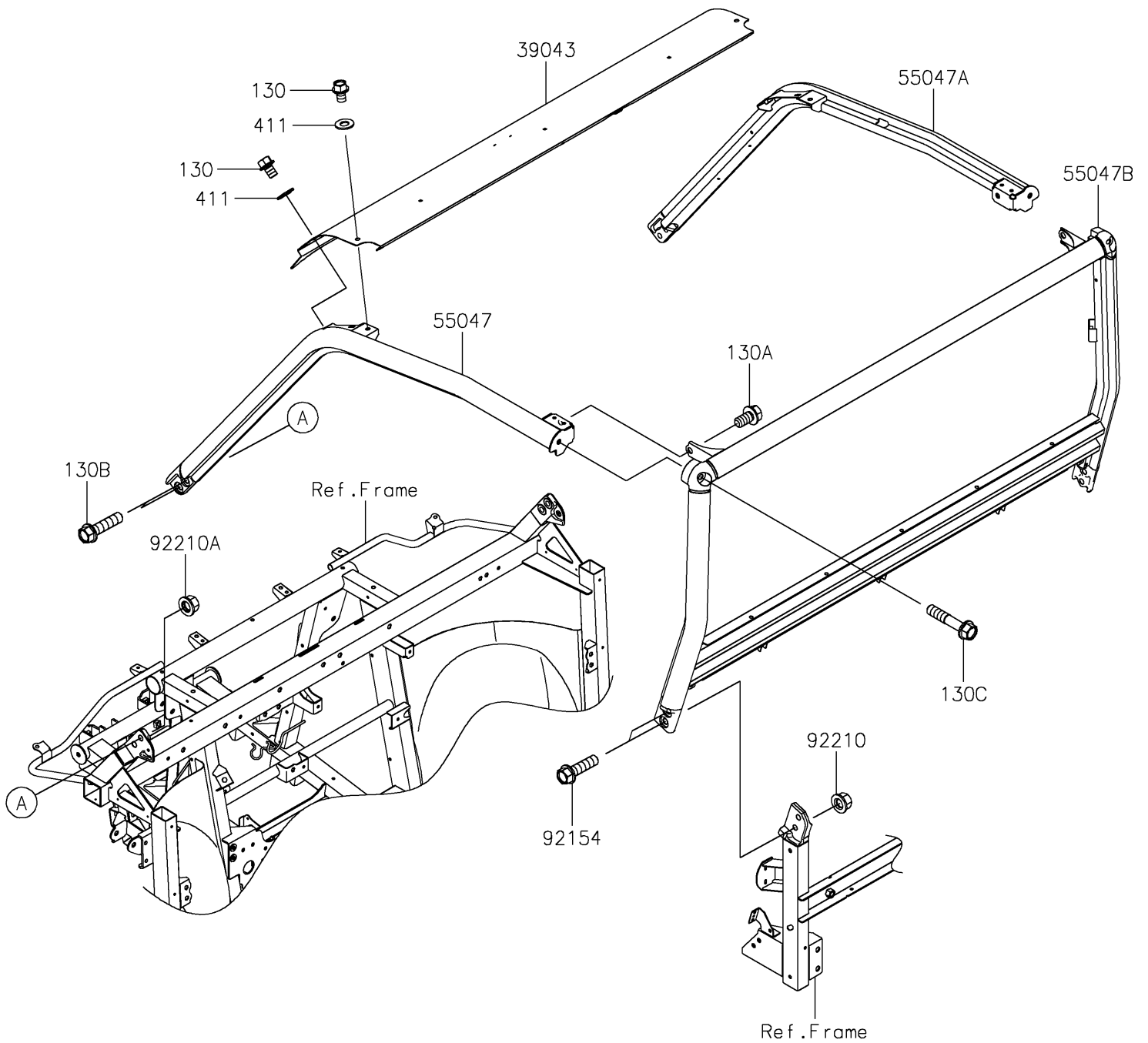


2026 RIDGE®

PARTS DIAGRAM

Guards/Cab Frame

F2681



2026 RIDGE®

PARTS LIST

Guards/Cab Frame

ITEM NAME	PART NUMBER	QUANTITY
CROSSMEMBER-COMP,UPP,FR,T.BLK (Ref # 39043)	39043-0037-388	1
BAR-COMP,LH,FR,T.BLACK (Ref # 55047)	55047-0412-388	1
BAR-COMP,RH,FR,T.BLACK (Ref # 55047A)	55047-0413-388	1
BAR-COMP,RR,T.BLACK (Ref # 55047B)	55047-0457-388	1
BOLT,FLANGED,12X45 (Ref # 92154)	92154-1420	4
NUT,12MM (Ref # 92210)	92210-0603	4
NUT,FLANGED,12MM (Ref # 92210A)	92210-1932	4
BOLT-FLANGED,10X14 (Ref # 130)	130CA1014	4
BOLT-FLANGED,12X22 (Ref # 130A)	130CA1222	2
BOLT-FLANGED,12X50 (Ref # 130B)	130CB1250	4
BOLT-FLANGED,12X60 (Ref # 130C)	130CB1260	2
WASHER-PLAIN,10MM (Ref # 411)	411AA1000	4