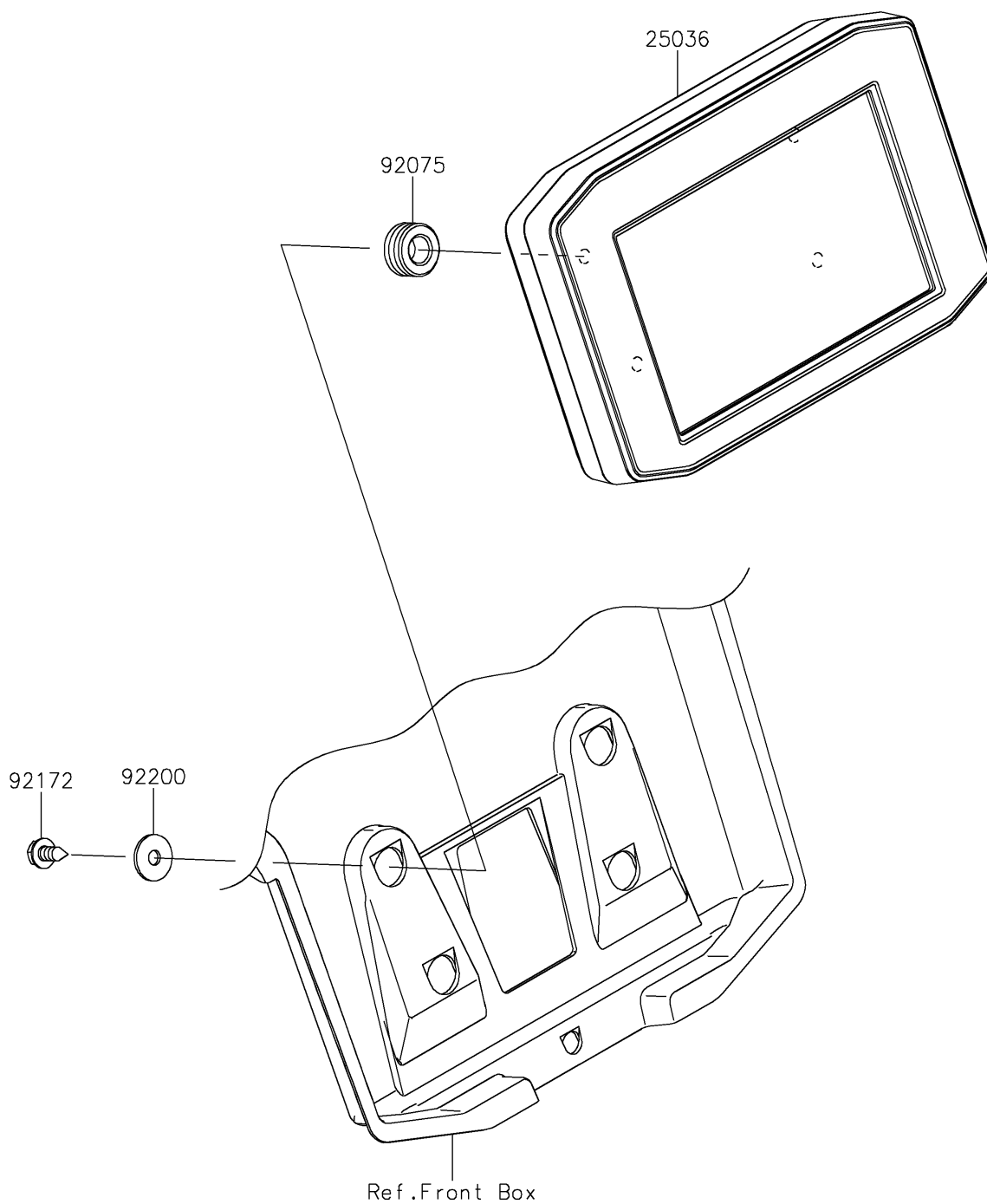


2026 RIDGE®

PARTS DIAGRAM

Meter(s)

F2530



2026 RIDGE®

PARTS LIST

Meter(s)



ITEM NAME

PART NUMBER

QUANTITY
