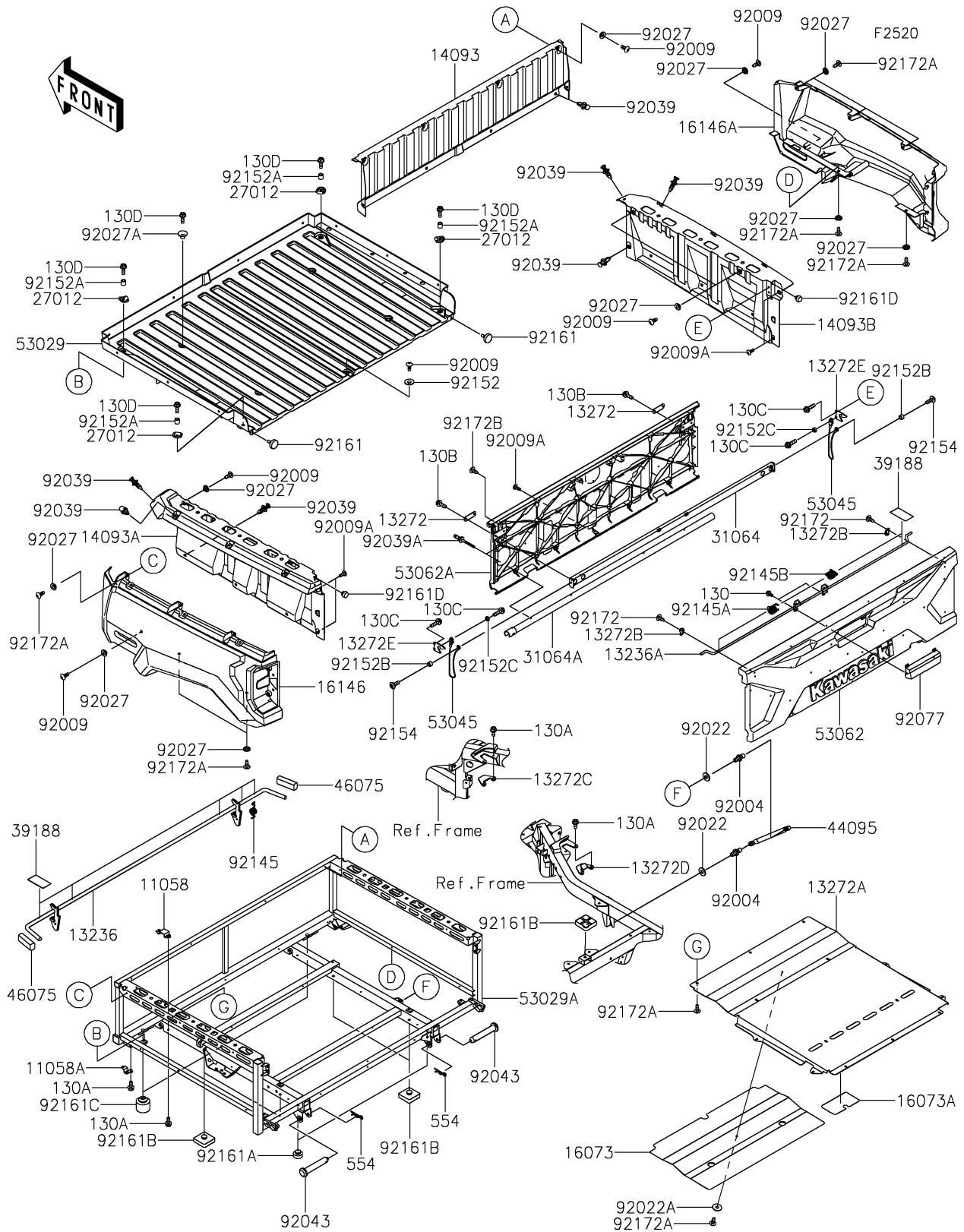


2026 RIDGE®

PARTS DIAGRAM

Carrier(s)



2026 RIDGE®

PARTS LIST

Carrier(s)

ITEM NAME

PART NUMBER

QUANTITY
