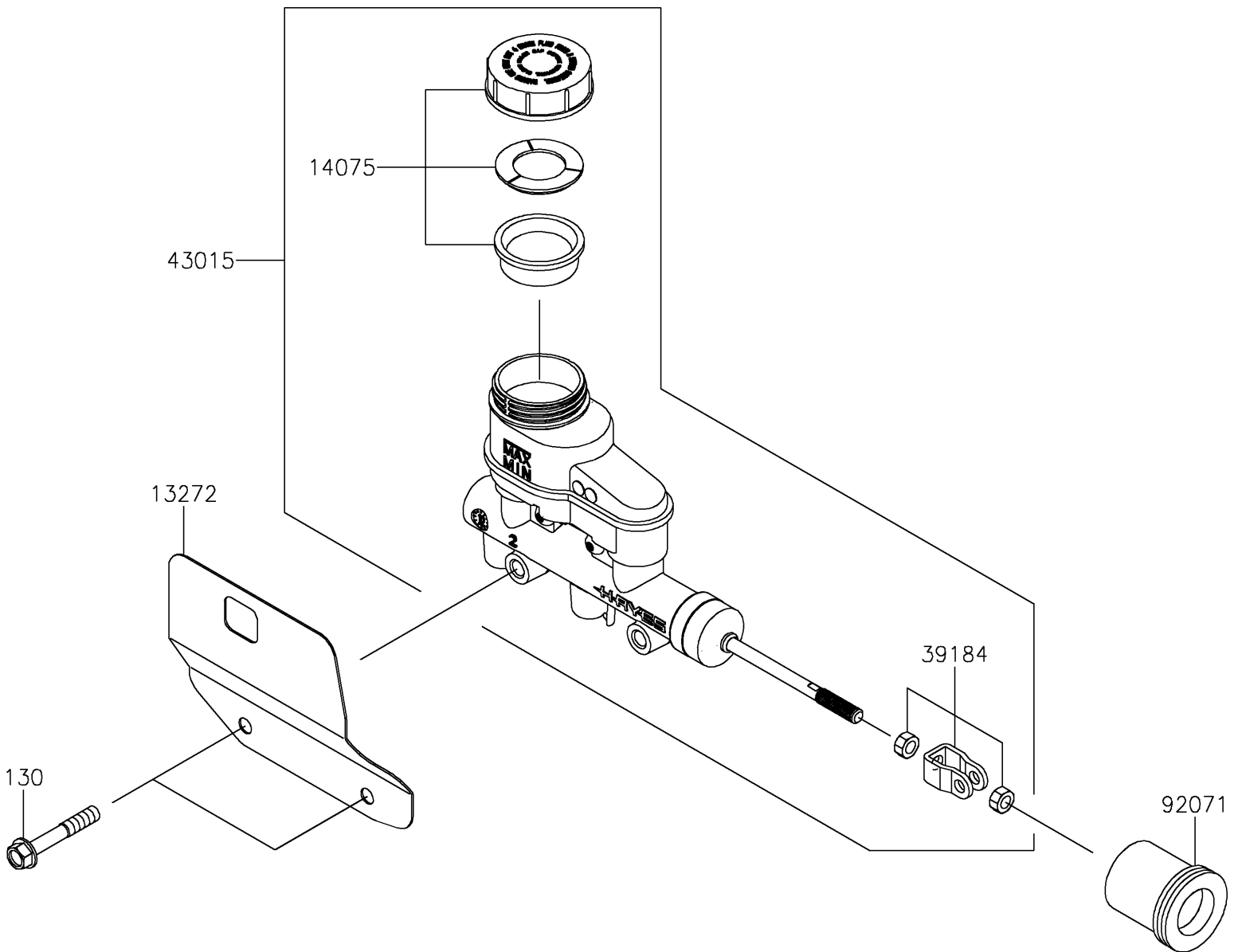


2026 RIDGE

PARTS DIAGRAM

Master Cylinder

F2261



2026 RIDGE

PARTS LIST

Master Cylinder

| ITEM NAME | PART NUMBER | QUANTITY |
|------------------------------------|-------------|----------|
| PLATE,M/C BODY (Ref # 13272) | 13272-4085 | 1 |
| CAP-ASSY (Ref # 14075) | 14075-0038 | 1 |
| BRACKET-ASSY (Ref # 39184) | 39184-0031 | 1 |
| CYLINDER-ASSY-MASTER (Ref # 43015) | 43015-0802 | 1 |
| GROMMET (Ref # 92071) | 92071-0832 | 1 |
| BOLT-FLANGED,8X50 (Ref # 130) | 130BA0850 | 2 |