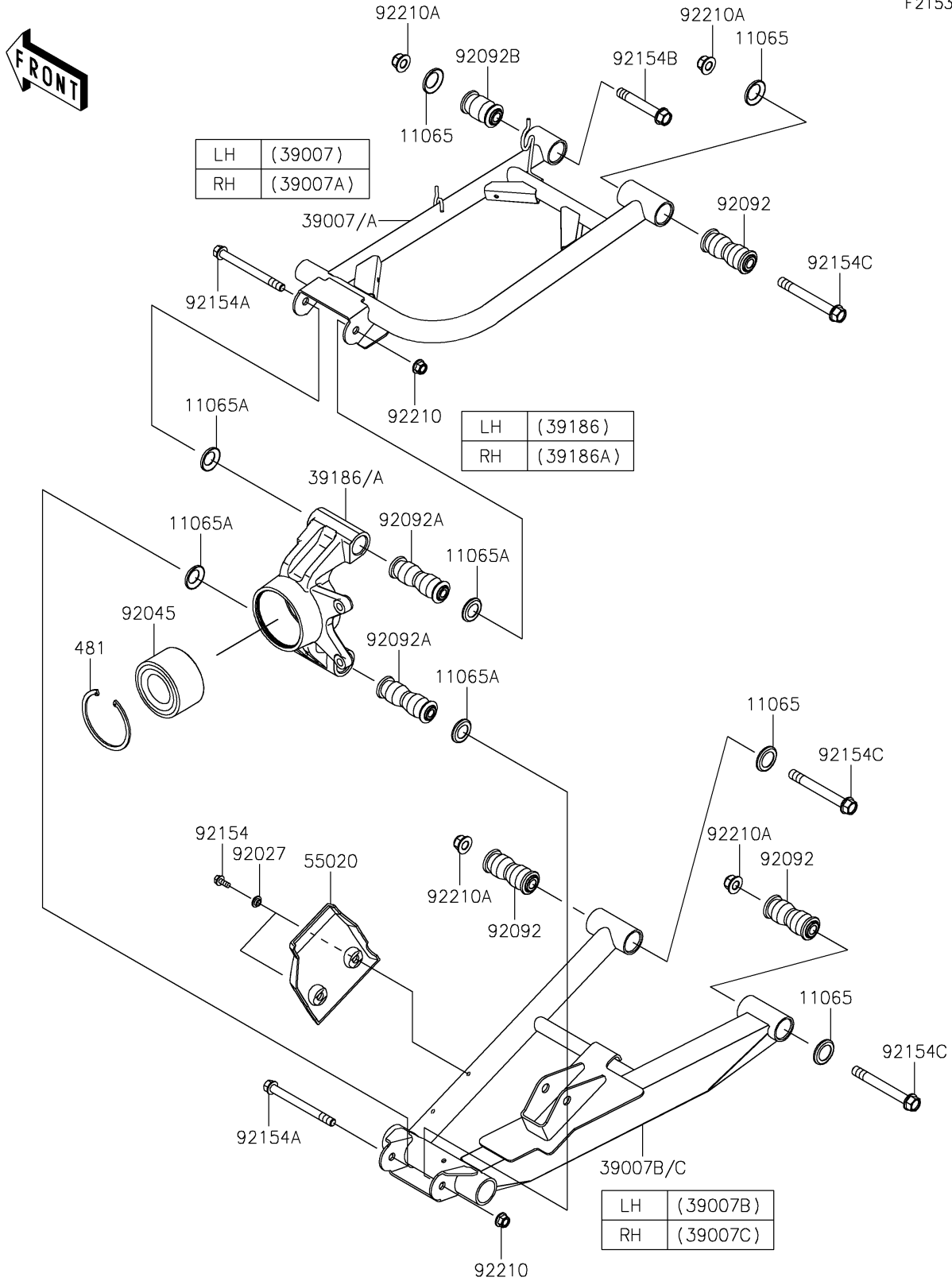


# 2026 RIDGE®

## PARTS DIAGRAM

### Rear Suspension

F2153



# 2026 RIDGE®

## PARTS LIST

### Rear Suspension

**ITEM NAME**

**PART NUMBER**

**QUANTITY**

---