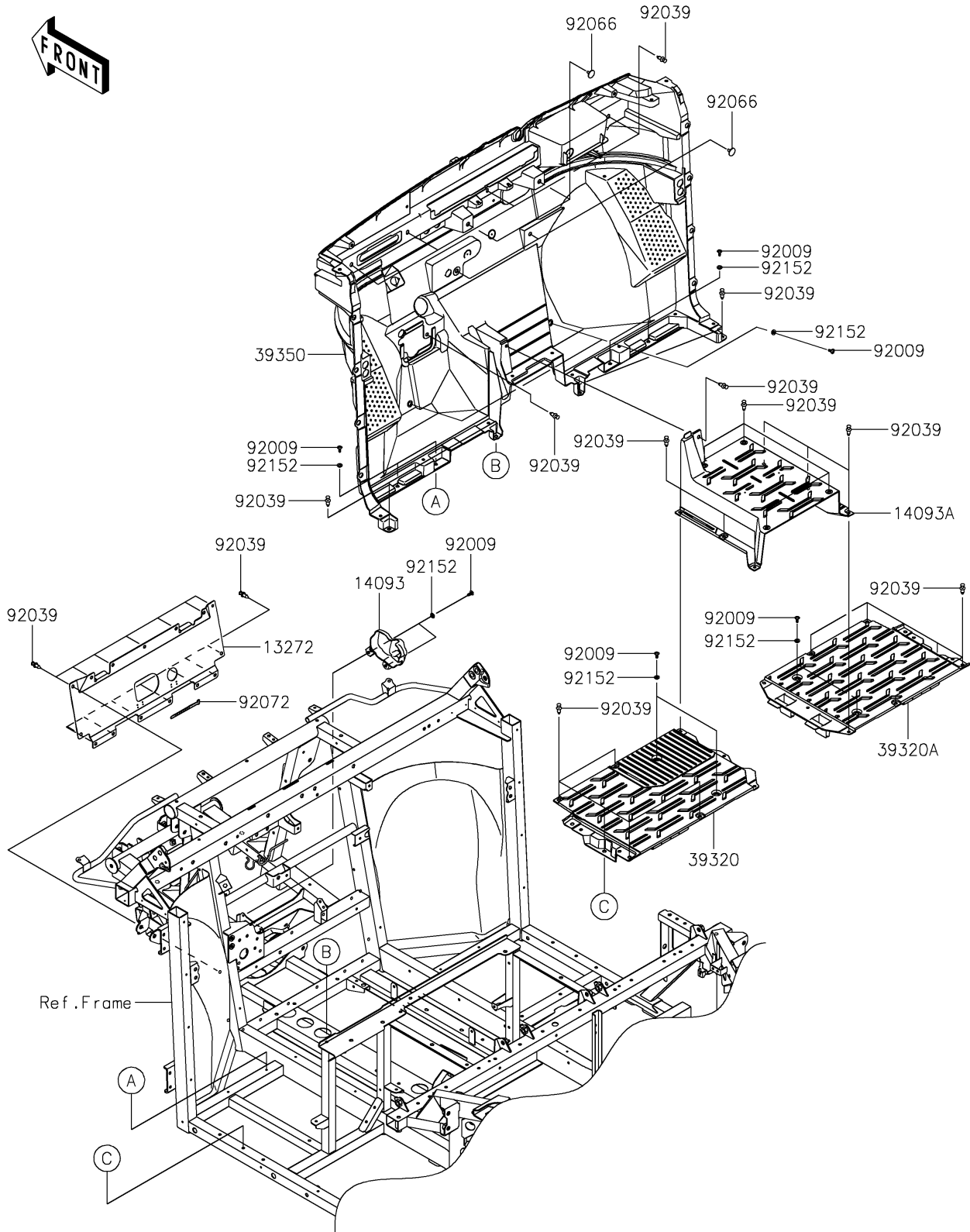


2026 RIDGE

PARTS DIAGRAM

Frame Fittings(Front)

F2130



2026 RIDGE

PARTS LIST

Frame Fittings(Front)

| ITEM NAME | PART NUMBER | QUANTITY |
|----------------------------------|-------------|----------|
| PLATE,FR TUNNEL (Ref # 13272) | 13272-4216 | 1 |
| COVER,FR GEAR,SIDE (Ref # 14093) | 14093-0839 | 1 |
| COVER,TUNNEL,CNT (Ref # 14093A) | 14093-1330 | 1 |
| FLOOR,PANEL,LH (Ref # 39320) | 39320-0001 | 1 |
| FLOOR,PANEL,RH (Ref # 39320A) | 39320-0002 | 1 |
| PANEL,FR (Ref # 39350) | 39350-0002 | 1 |
| SCREW,TAPPING,6X16 (Ref # 92009) | 92009-1166 | 12 |
| RIVET (Ref # 92039) | 92039-0776 | 45 |
| PLUG,6X17 (Ref # 92066) | 92066-0751 | 4 |
| BAND,L=123 (Ref # 92072) | 92072-030 | 2 |
| COLLAR,6.3X9.5X4.1 (Ref # 92152) | 92152-1571 | 12 |