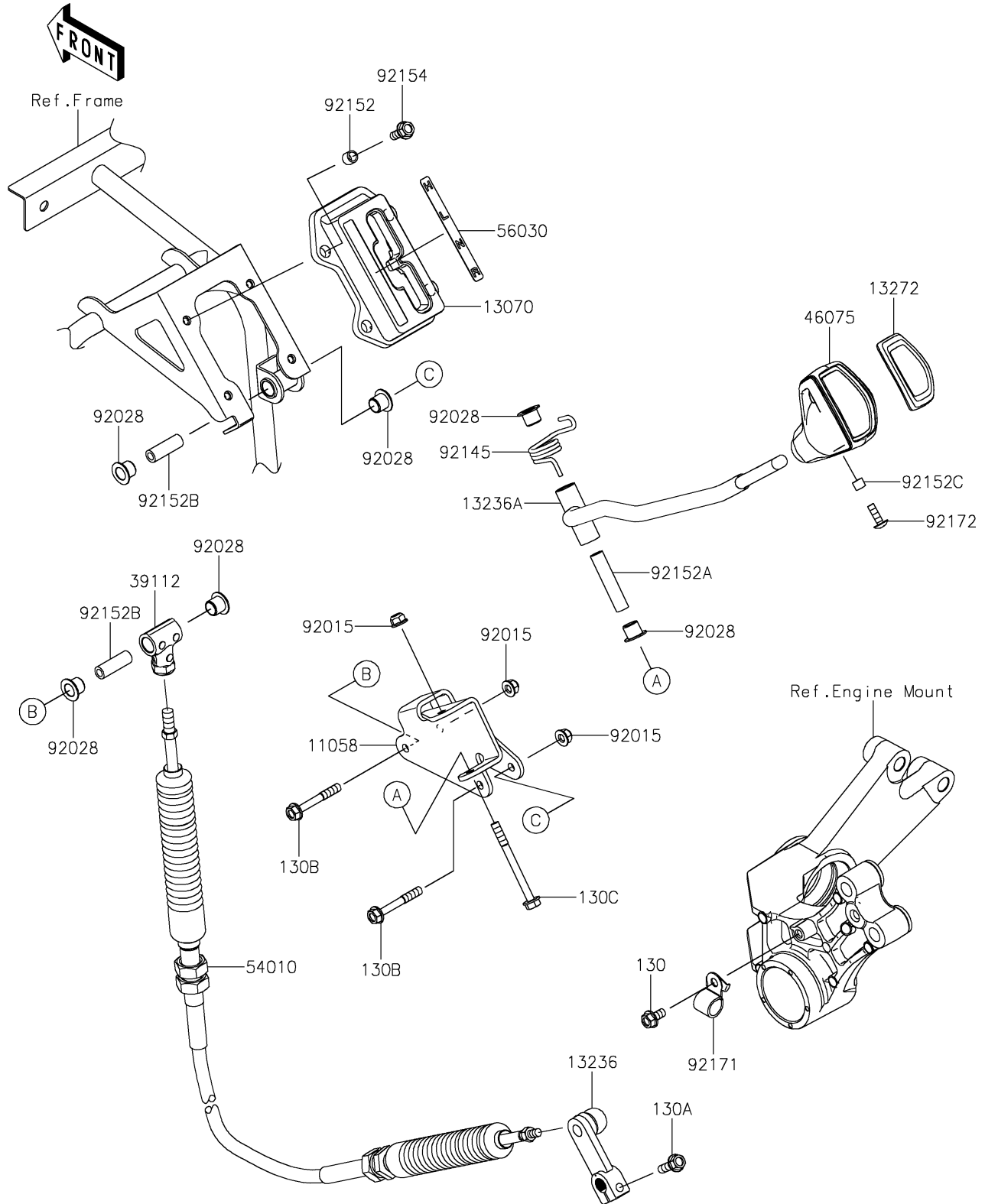


# 2026 RIDGE

## PARTS DIAGRAM

### Control

E7110



# 2026 RIDGE

## PARTS LIST

### Control



ITEM NAME	PART NUMBER	QUANTITY
-----------	-------------	----------

---