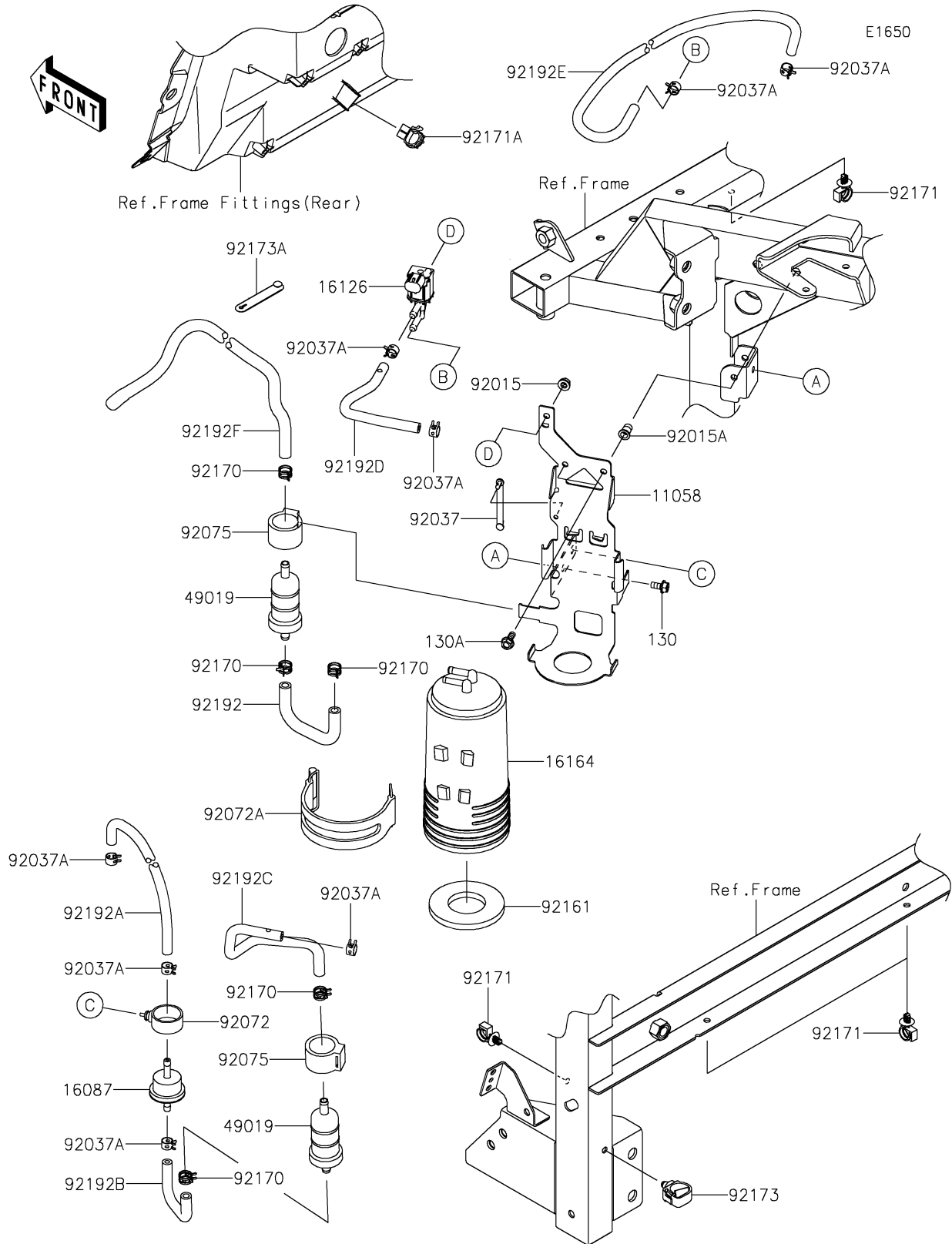


# 2026 RIDGE

## PARTS DIAGRAM

### Fuel Evaporative System(CA)



# 2026 RIDGE

## PARTS LIST

### Fuel Evaporative System(CA)

**ITEM NAME**

**PART NUMBER**

**QUANTITY**

---