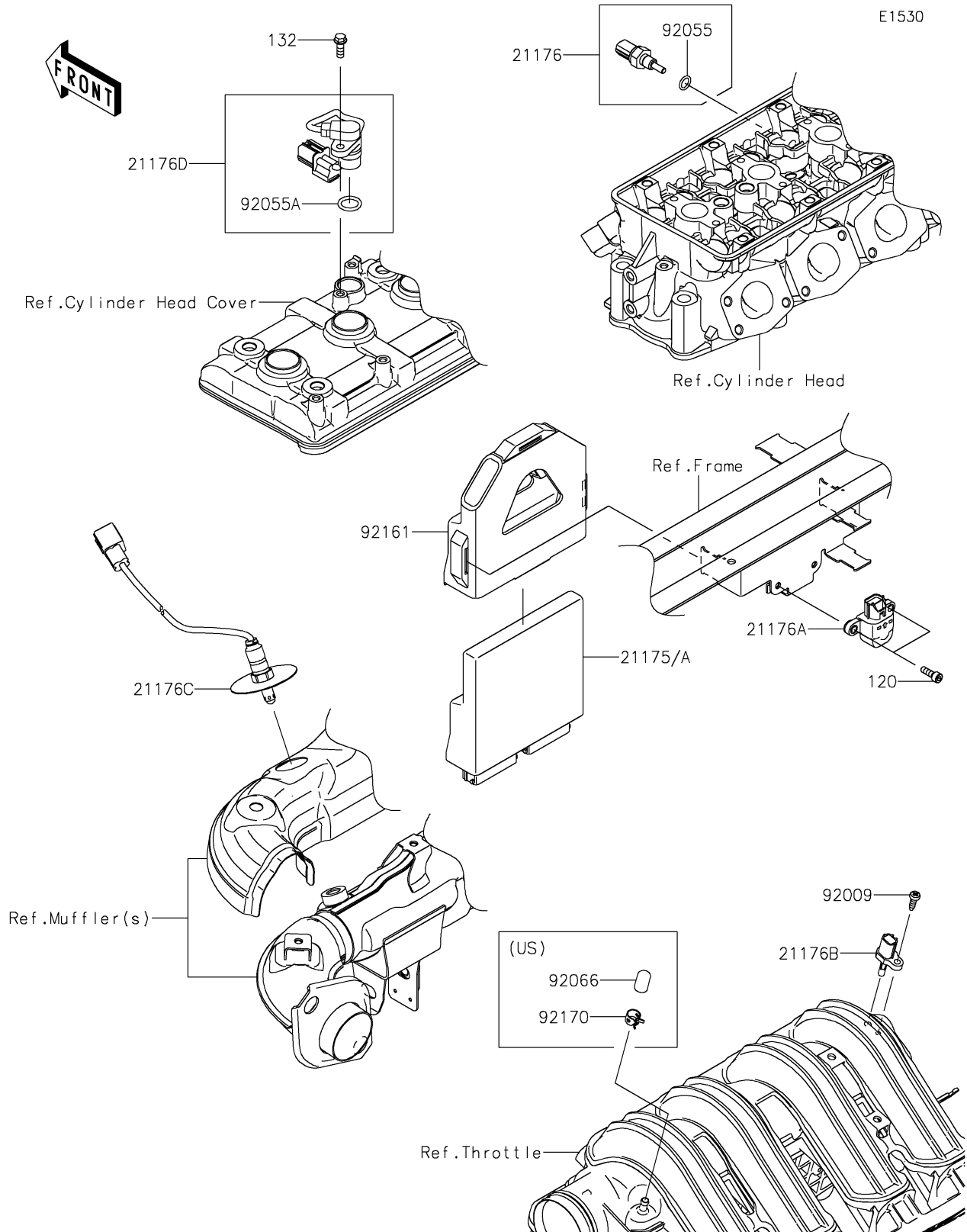


2026 RIDGE

PARTS DIAGRAM

Fuel Injection



2026 RIDGE

PARTS LIST

Fuel Injection

| ITEM NAME | PART NUMBER | QUANTITY |
|--|-------------|----------|
| CONTROL UNIT-ELECTRONIC (Ref # 21175) | 21175-1896 | 1 |
| CONTROL UNIT-ELECTRONIC (Ref # 21175A) | 21175-1897 | 1 |
| SENSOR,WATER TEMP (Ref # 21176) | 21176-0009 | 1 |
| SENSOR,VEHICLE-DOWN (Ref # 21176A) | 21176-0026 | 1 |
| SENSOR,AIR TEMPERATURE (Ref # 21176B) | 21176-0048 | 1 |
| SENSOR,OXYGEN (Ref # 21176C) | 21176-0935 | 1 |
| SENSOR,CAM ANGLE (Ref # 21176D) | 21176-1077 | 1 |
| SCREW,TAPPING,5X16 (Ref # 92009) | 92009-1984 | 1 |
| RING-O,9.5X1.9 (Ref # 92055) | 92055-0016 | 1 |
| RING-O (Ref # 92055A) | 92055-1639 | 1 |
| PLUG (Ref # 92066) | 92066-0862 | 1 |
| DAMPER,ECU (Ref # 92161) | 92161-2495 | 1 |
| CLAMP (Ref # 92170) | 92170-2043 | 1 |
| BOLT-SOCKET,5X16 (Ref # 120) | 120CA0516 | 2 |
| BOLT-FLANGED-SMALL,6X16 (Ref # 132) | 132BA0616 | 1 |