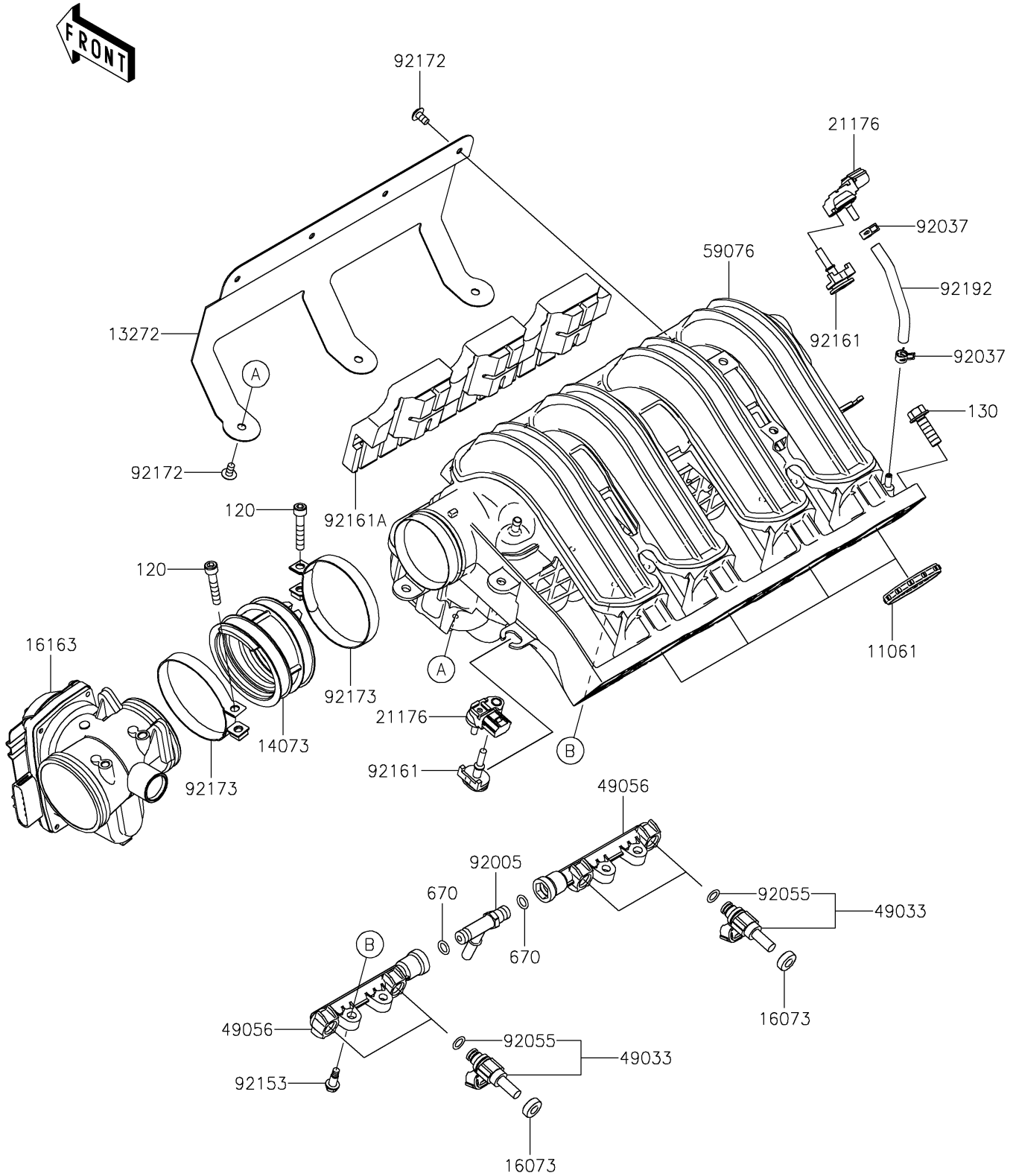


2026 RIDGE

PARTS DIAGRAM

Throttle

E1510



2026 RIDGE

PARTS LIST

Throttle



ITEM NAME	PART NUMBER	QUANTITY
-----------	-------------	----------
