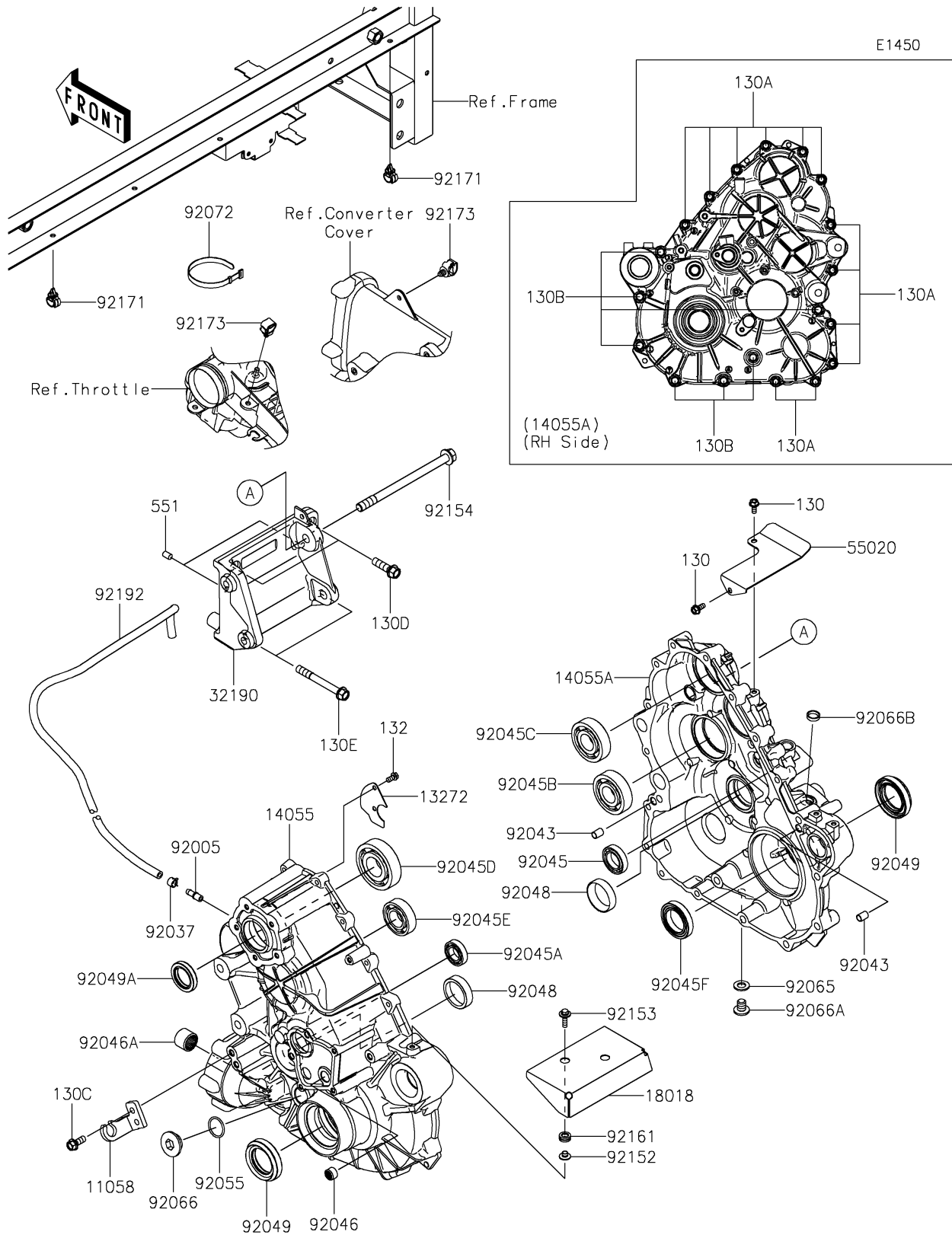


2026 RIDGE

PARTS DIAGRAM

Gear Box



2026 RIDGE

PARTS LIST

Gear Box

| ITEM NAME | PART NUMBER | QUANTITY |
|---|-------------|----------|
| BRACKET,CABLE (Ref # 11058) | 11058-0560 | 1 |
| PLATE (Ref # 13272) | 13272-7230 | 1 |
| CASE-GEAR,LH (Ref # 14055) | 14055-0691 | 1 |
| CASE-GEAR,RH (Ref # 14055A) | 14055-0692 | 1 |
| PLATE-HEAT GUARD (Ref # 18018) | 18018-0647 | 1 |
| BRACKET-ENGINE (Ref # 32190) | 32190-0888 | 1 |
| GUARD (Ref # 55020) | 55020-2426 | 1 |
| FITTING,BREATHER (Ref # 92005) | 92005-1127 | 1 |
| CLAMP,TUBE (Ref # 92037) | 92037-1505 | 1 |
| PIN,DOWEL,10X14 (Ref # 92043) | 92043-1037 | 2 |
| BEARING-BALL,#6905 (Ref # 92045) | 92045-036 | 1 |
| BEARING-BALL,6904 (Ref # 92045A) | 92045-0705 | 1 |
| BEARING-BALL,6305RSH2 (Ref # 92045B) | 92045-0899 | 1 |
| BEARING-BALL,6305Z (Ref # 92045C) | 92045-0901 | 1 |
| BEARING-BALL,TAB306C3 (Ref # 92045D) | 92045-0961 | 1 |
| BEARING-BALL,6205R (Ref # 92045E) | 92045-0964 | 1 |
| BEARING-BALL,6907C2 (Ref # 92045F) | 92045-1373 | 1 |
| BEARING-NEEDLE,HK1210FM (Ref # 92046) | 92046-0034 | 1 |
| BEARING-NEEDLE (Ref # 92046A) | 92046-0039 | 1 |
| RACE (Ref # 92048) | 92048-1020 | 2 |
| SEAL-OIL,TC9Y 40X62X10X17.2 (Ref # 92049) | 92049-0815 | 2 |
| SEAL-OIL,HTC 30X45X8 (Ref # 92049A) | 92049-0848 | 1 |
| RING-O,25.7X2.4 (Ref # 92055) | 92055-1136 | 1 |
| GASKET,12X22X2 (Ref # 92065) | 92065-097 | 1 |
| PLUG,25X8 (Ref # 92066) | 92066-0012 | 1 |
| PLUG,12X15 (Ref # 92066A) | 92066-0943 | 1 |
| PLUG (Ref # 92066B) | 92066-7014 | 1 |
| BAND,L=186 (Ref # 92072) | 92072-056 | 1 |
| COLLAR,6.3X8.3X7.2 (Ref # 92152) | 92152-1865 | 2 |

2026 RIDGE

PARTS LIST

Gear Box

| ITEM NAME | PART NUMBER | QUANTITY |
|-------------------------------------|-------------|----------|
| BOLT,FLANGED,6X22 (Ref # 92153) | 92153-0950 | 2 |
| BOLT,12X175 (Ref # 92154) | 92154-3859 | 2 |
| DAMPER (Ref # 92161) | 92161-2510 | 2 |
| CLAMP,13MM DIA. (Ref # 92171) | 92171-1415 | 2 |
| CLAMP,12MM DIA. (Ref # 92173) | 92173-0736 | 2 |
| TUBE,5.8X10.8X1430 (Ref # 92192) | 92192-2660 | 1 |
| BOLT-FLANGED,6X14 (Ref # 130) | 130BA0614 | 2 |
| BOLT-FLANGED,8X45 (Ref # 130A) | 130BA0845 | 12 |
| BOLT-FLANGED,10X55 (Ref # 130B) | 130BA1055 | 7 |
| BOLT-FLANGED,8X20 (Ref # 130C) | 130CA0820 | 2 |
| BOLT-FLANGED,10X35 (Ref # 130D) | 130CA1035 | 2 |
| BOLT-FLANGED,10X85 (Ref # 130E) | 130CA1085 | 2 |
| BOLT-FLANGED-SMALL,6X12 (Ref # 132) | 132BA0612 | 1 |
| PIN-DOWEL,8X12 (Ref # 551) | 551A0812 | 2 |