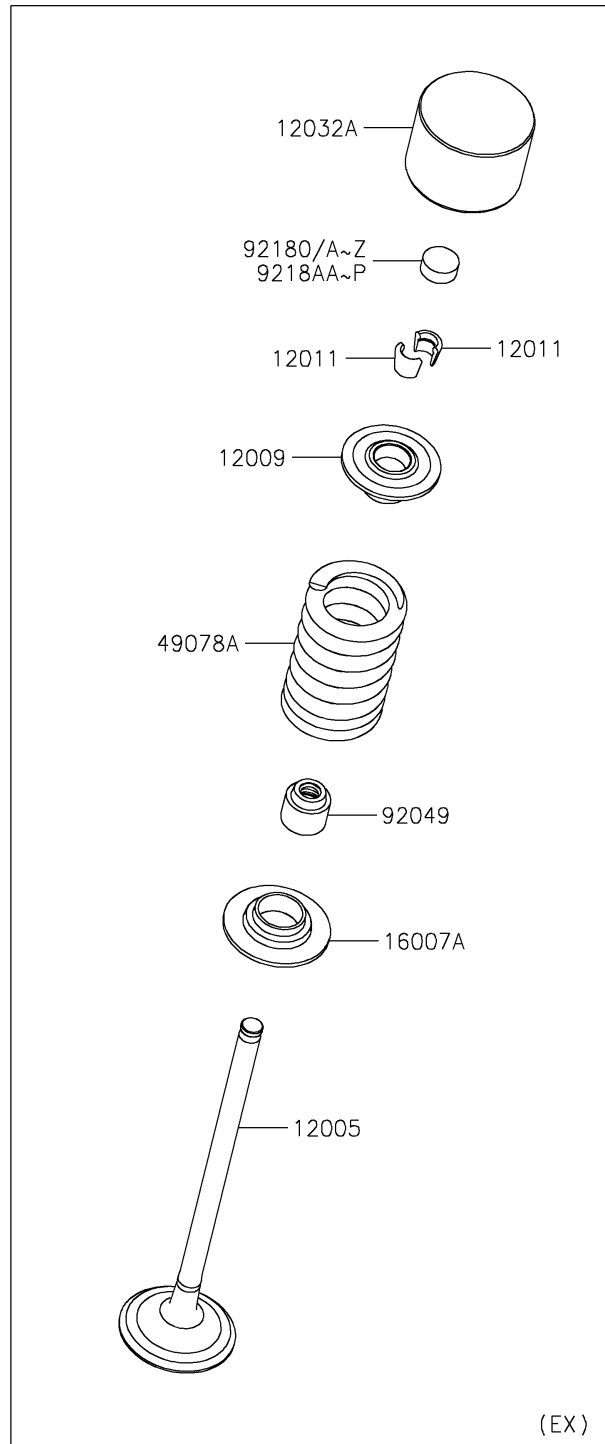
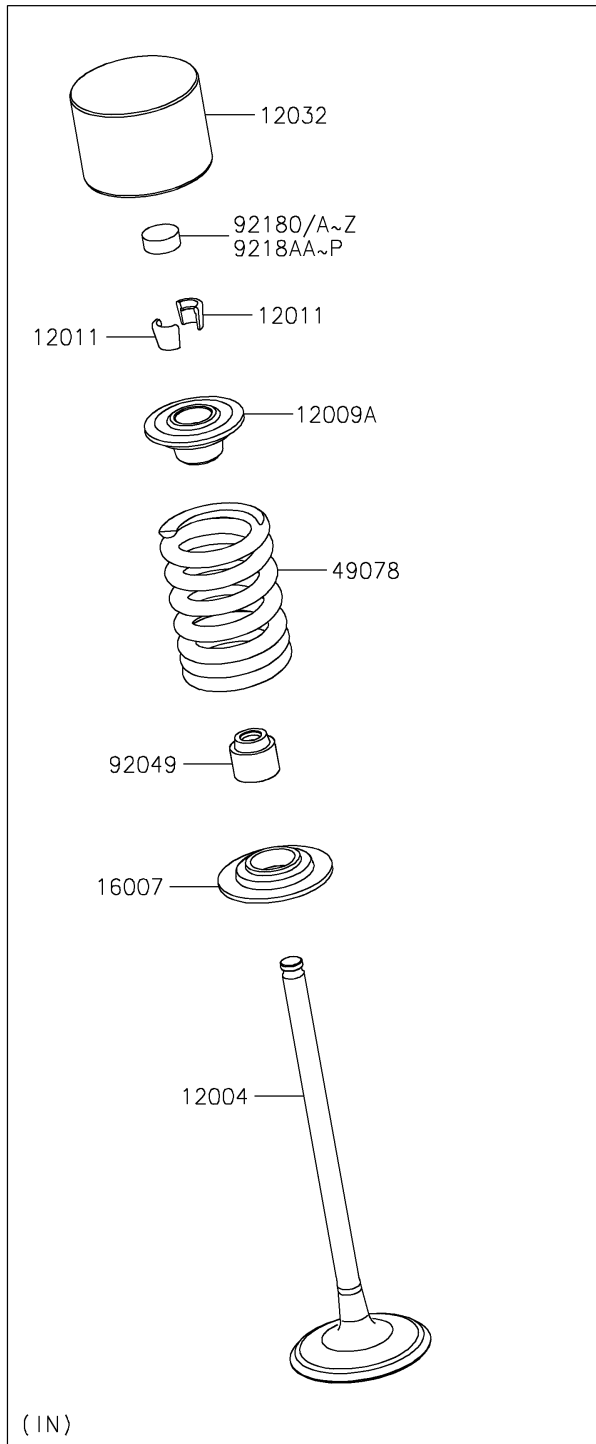


2026 RIDGE®

PARTS DIAGRAM

Valve(s)

E1210



2026 RIDGE®

PARTS LIST

Valve(s)



ITEM NAME	PART NUMBER	QUANTITY
-----------	-------------	----------
