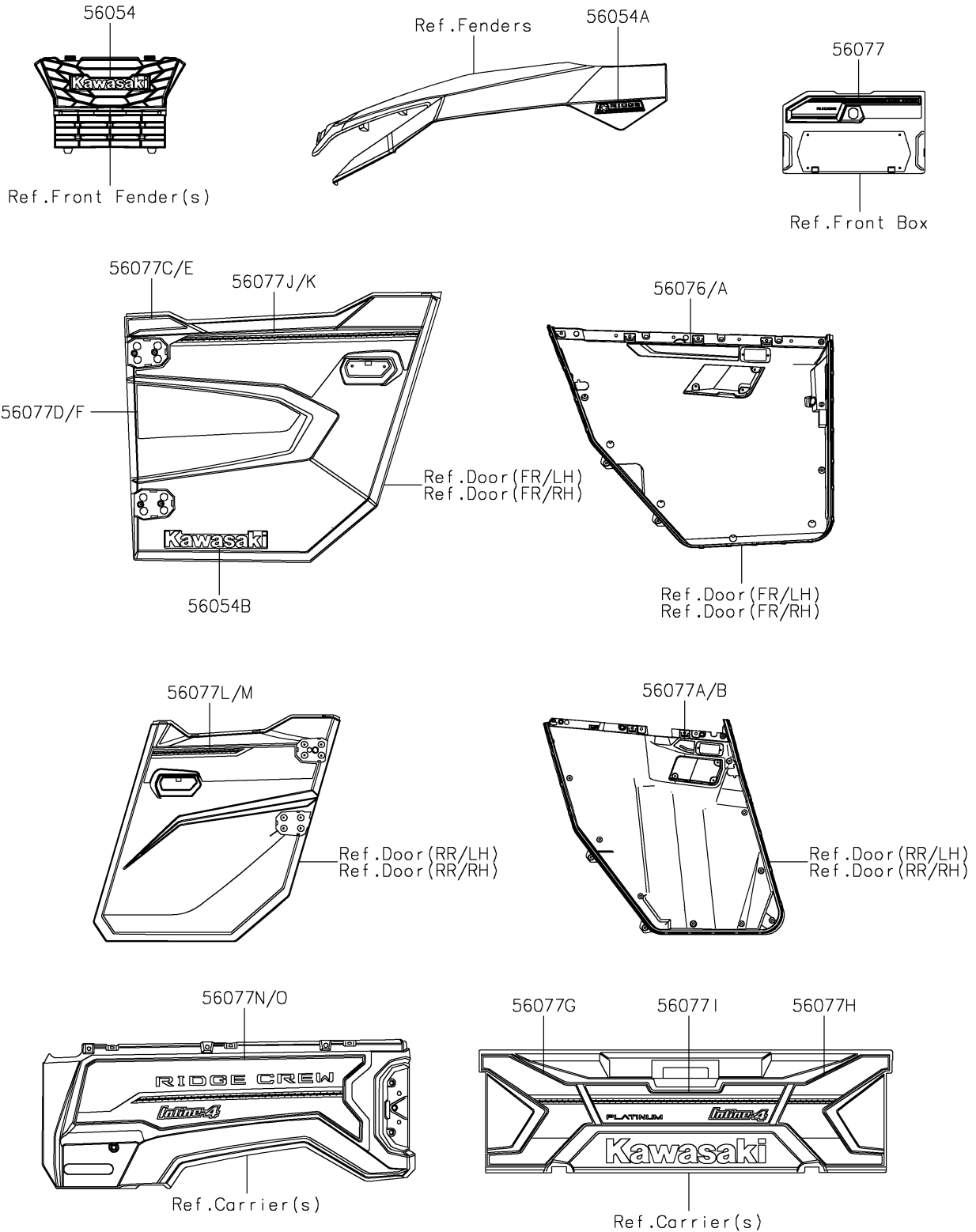


2026 RIDGE CREW Platinum Ranch Edition HVAC

PARTS DIAGRAM

Decals

F2861



2026 RIDGE CREW Platinum Ranch Edition HVAC



PARTS LIST Decals

ITEM NAME	PART NUMBER	QUANTITY
-----------	-------------	----------
